



CATIA V5 Training Exercises

Student Notes:

Advanced Drafting and Customization

Version 5 Release 19
January 2009

EDU_CAT_EN_DRA_AX_V5R19

Student Notes:

Table of Contents (1/2)

■ Exercise - The Plate	4
◆ Design Intent: The Plate	5
◆ Design Process: The Plate	6
◆ Do It Yourself	7
■ Exercise - The Pivot	12
◆ Design Intent: The Pivot	13
◆ Design Process: The Pivot	14
◆ Do It Yourself	15
■ Exercise - Generating dimensions	28
◆ Design Intent: Generating dimensions	29
◆ Design Process: Generating dimensions	30
◆ Do It Yourself	31
■ Exercise - Using filtering techniques	39
◆ Design Intent: Using Filtering Techniques	40
◆ Design Process: Using Filtering Techniques	41
◆ Do It Yourself	42
■ Exercise - Geometry and Free Text in VBScript	50
◆ Design Intent: Geometry and Free Text in VB Script	51

Student Notes:

Table of Contents (2/2)

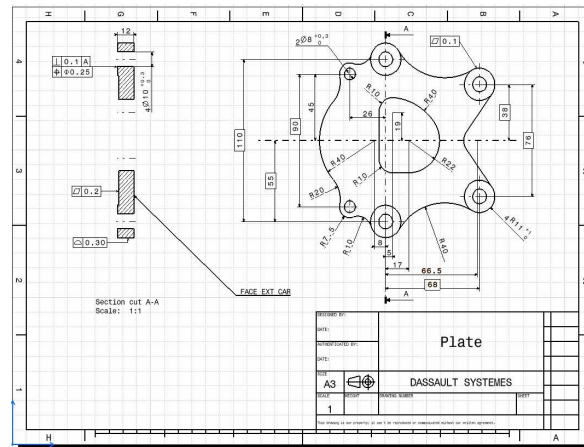
■	Exercise - Filling in Title Blocks	54
◆	Design Intent: Filling in Title Blocks	55
◆	Do It Yourself	56

Exercise - The Plate



In this exercise you will create dimensions and annotations on a specific drawing starting from a predefined standard.

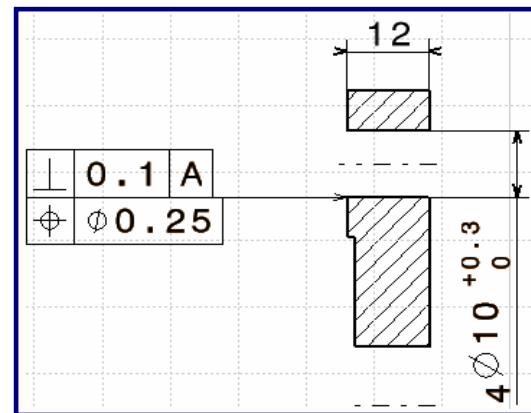
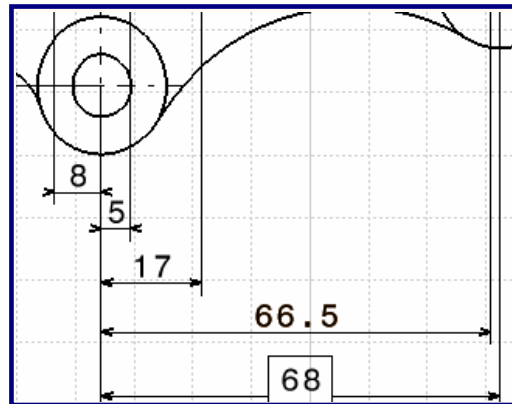
You will need to create a new Company standard with specific parameters and styles



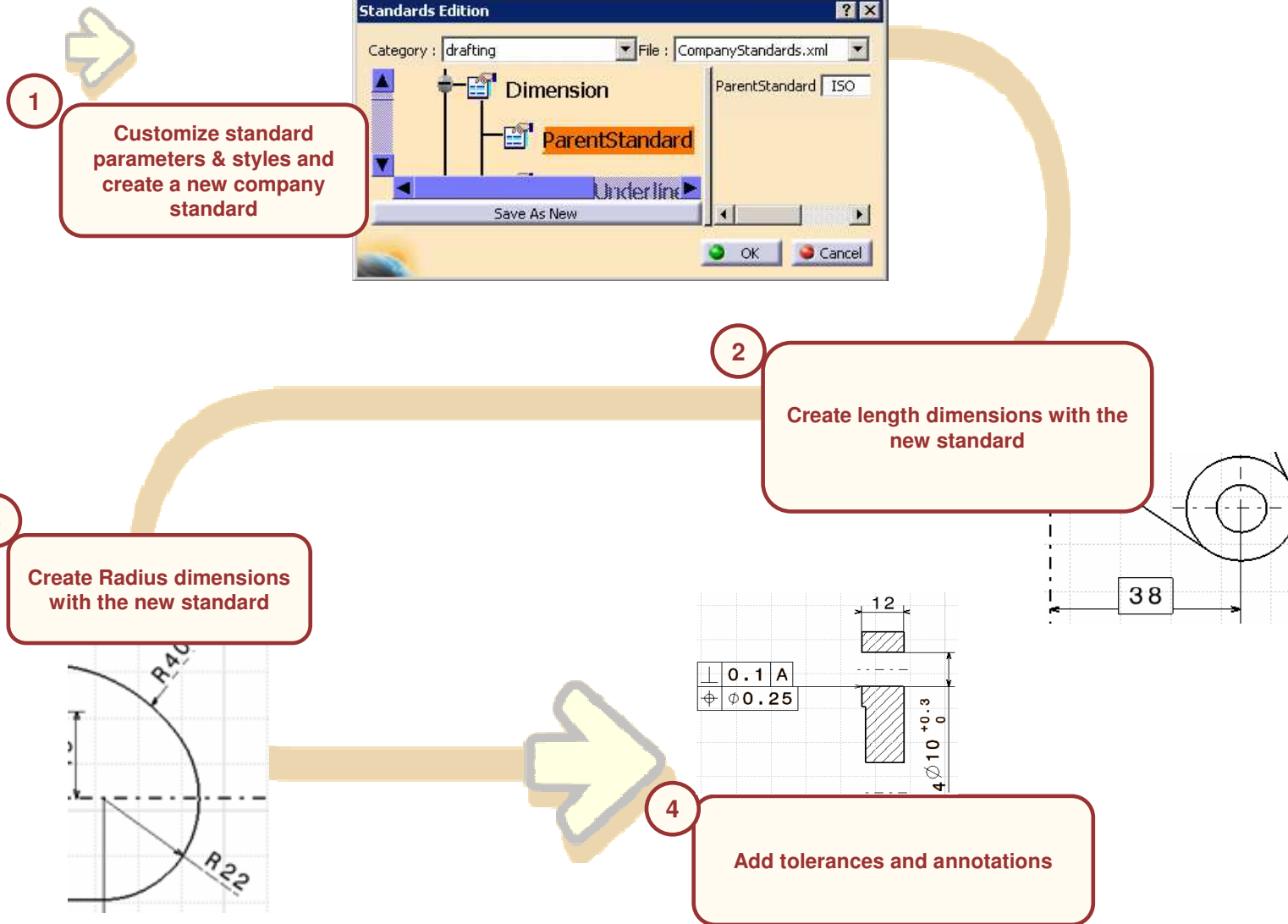
Student Notes:

Design Intent: The Plate

- Creating a new company standard
- Creating Length/Distance Dimensions
- Creating Radius/Diameter Dimensions
- Creating Annotations



Design Process: The Plate



Student Notes:

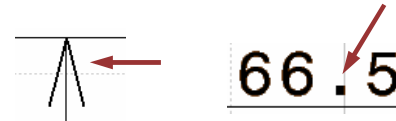
Do It Yourself (1/5)

 Load: Plate_Step0.CATDrawing

Customize ISO Standard and save it as “company standard”

 All length/distance dimensions must have the same following properties :

- The thickness of the dimension line symbols is 0.35mm
- All the extension line go to the geometry (no blanking)
- All the dimension values must be displayed using a point

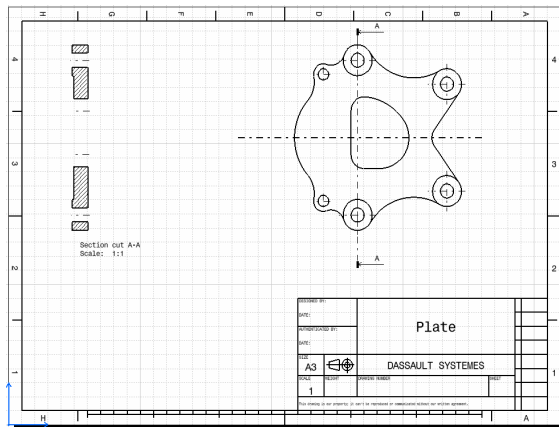


 For framed values, the frame must not be aligned with dimension line

- Create a 1 mm offset



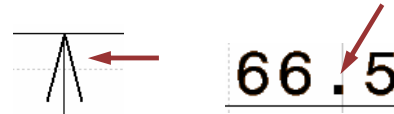
 For dimensions with outside arrows, don't display dimension line outside



Do It Yourself (2/5)

◆ All radius/diameter dimensions must have the same following properties :

- The thickness of the dimension line symbols is 0.35mm
- All the extension line go to the geometry (no blanking)
- All the dimension values must be displayed using a point

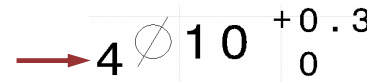


◆ Place the radius dimensions exactly as it is represented on the model next page

- Respect the specifications of the dimension line



◆ Modify the position of the Text before (subscripted in relation to the value)

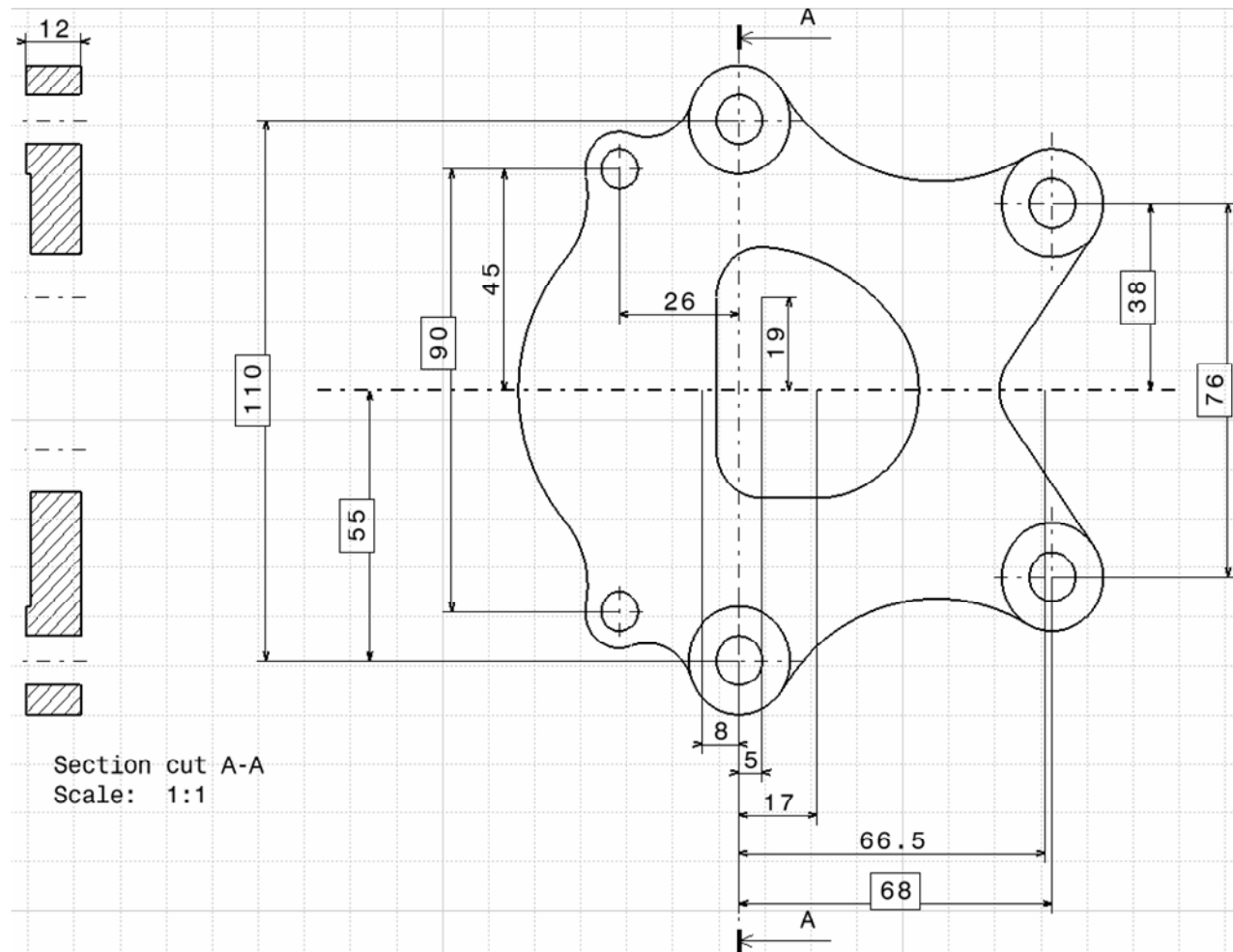


◆ Update the current drawing using the new created “company” standard

Student Notes:

Do It Yourself (3/5)

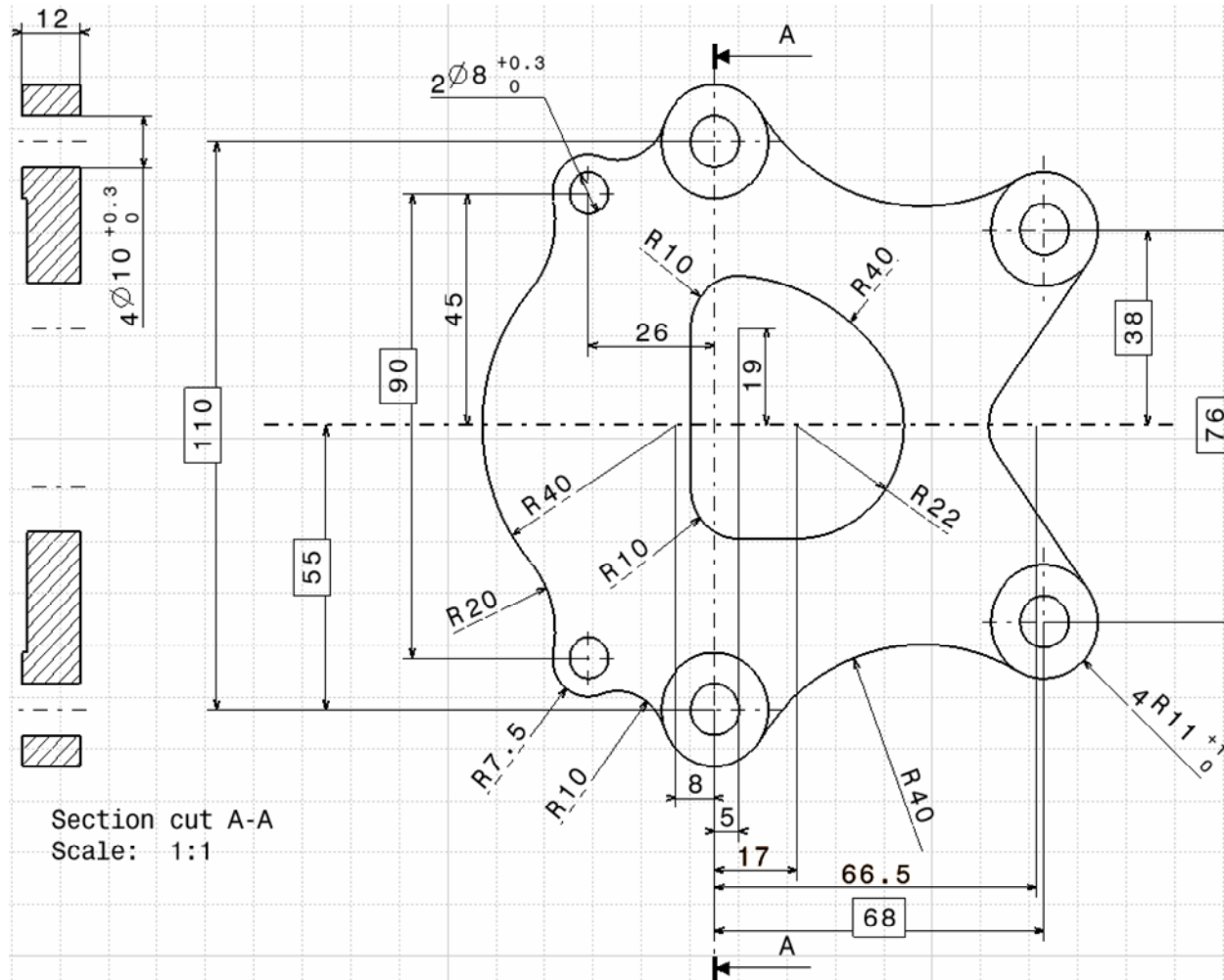
- Create Length dimensions as shown



Student Notes:

Do It Yourself (4/5)

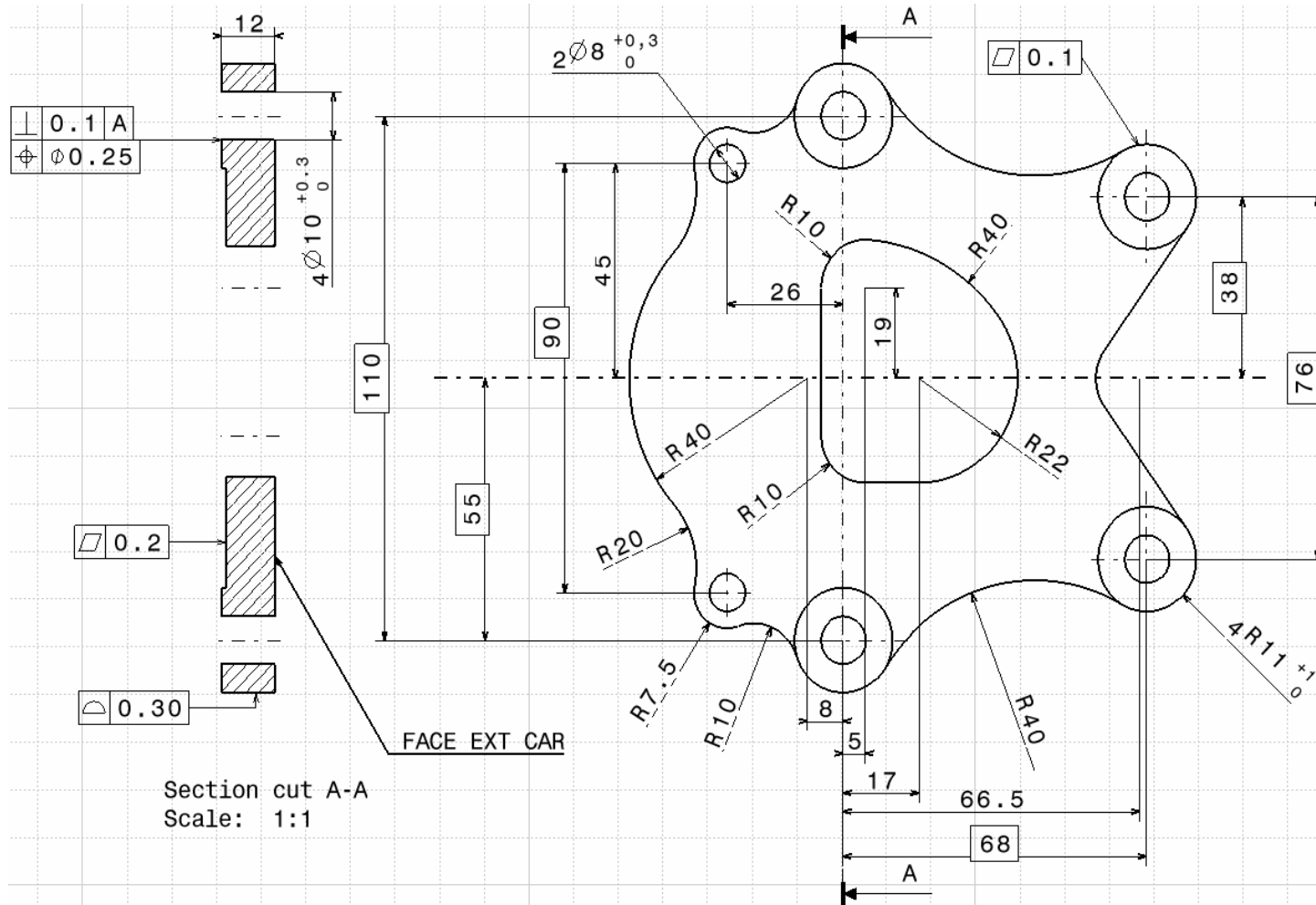
Create Radius dimensions



Student Notes:

Do It Yourself (5/5)

Add tolerances and annotations

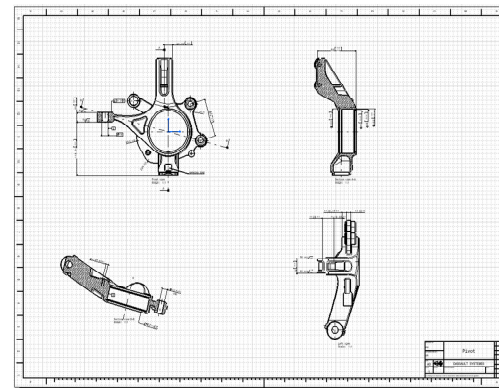


Exercise - The Pivot



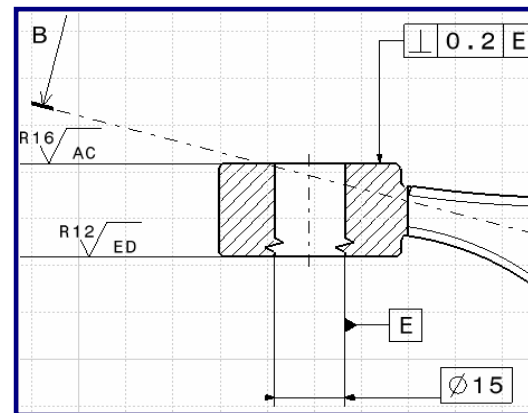
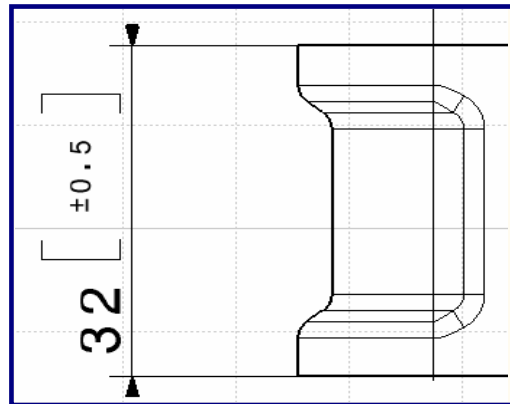
In this exercise you will create dimensions, texts, annotations and a new style of Tolerance Description on a specific drawing starting from a predefined standard.

You will need to create a new Company.XML file using the existing ISO.XML file in order to fulfill the requested the dimensions formats.



Design Intent: The Pivot

- Creating a new company standard
- Creating Length/Distance Dimensions
- Creating Radius/Diameter Dimensions
- Adding Tolerances and Annotations

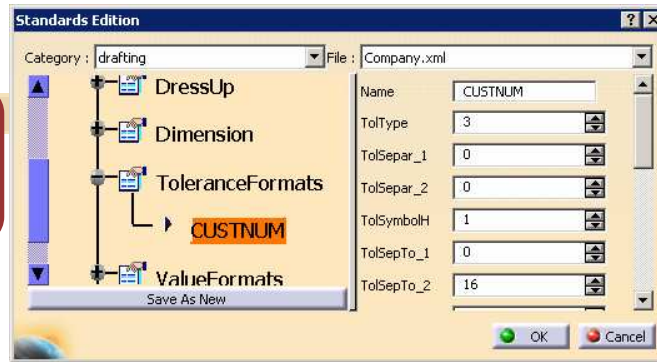


Design Process: The Pivot



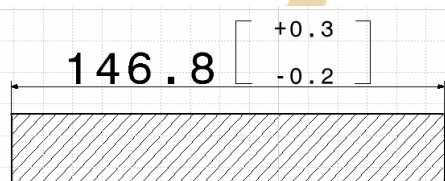
1

Customize ISO Standard and save it as "company standard"



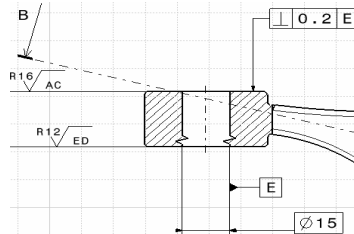
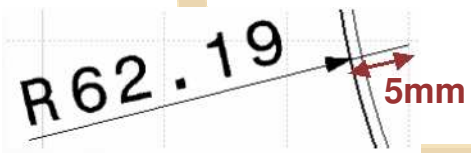
2

Create length dimensions with the new standard



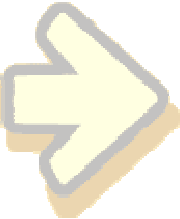
3

Create Radius dimensions with the new standard



4

Add tolerances and annotations



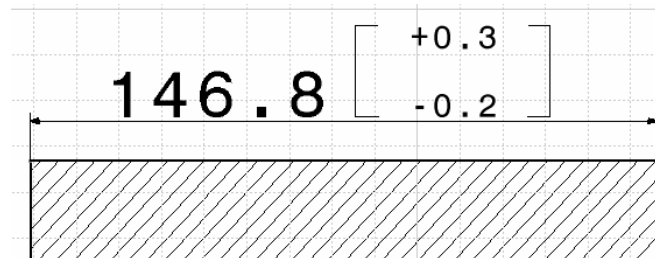
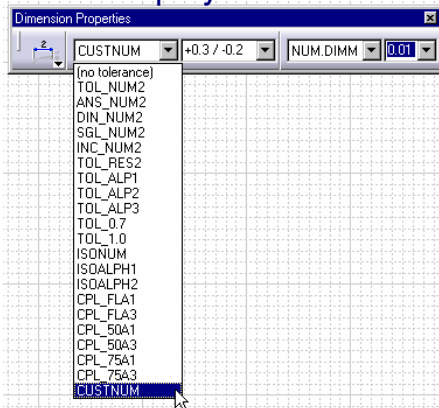
Do It Yourself (1/13)

 Load: Pivot_Step0.CATDrawing

Customize ISO Standard and save it as “company standard”

 Add a new style of Tolerance description called CUSTNUM with the following properties :

- Ratio between the height of the tolerance and the height of the dimension value must be 0.5
- Ratio between the height of the symbol and the height of the dimension value must be 2
- Anchor point on the dimension-value is the middle
- Anchor point on the tolerance is the middle
- Vertical distance between two tolerance values is 1mm (horizontal value is 0mm)
- Vertical distance between the dimension value and the tolerance is 0.5mm (horizontal value is 0mm)
- Display of the tolerance values trailing zeros has same behavior as for the dimension value
- Display of the plus/minus symbol and the common value
- Display of the tolerance value equal to zero with no sign
- Display brackets as separators



Student Notes:

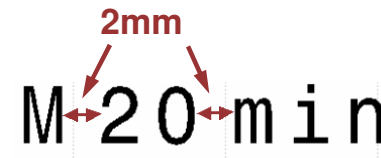
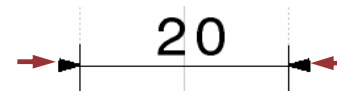
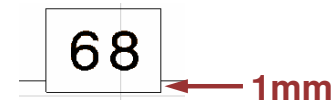
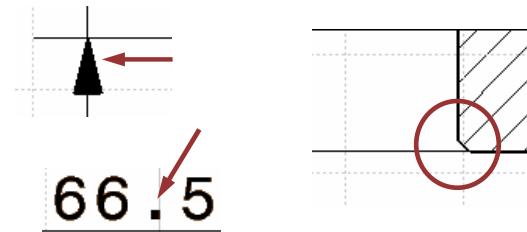
Do It Yourself (2/13)

- ◆ **All length/distance dimensions must have the following standard :**
 - Dimension line symbol is a filled arrow
 - No blanking for extension lines
 - All the dimension values must be displayed using a point

- ◆ **For framed values, the frame must not be aligned with dimension line**
 - Create a 1 mm offset

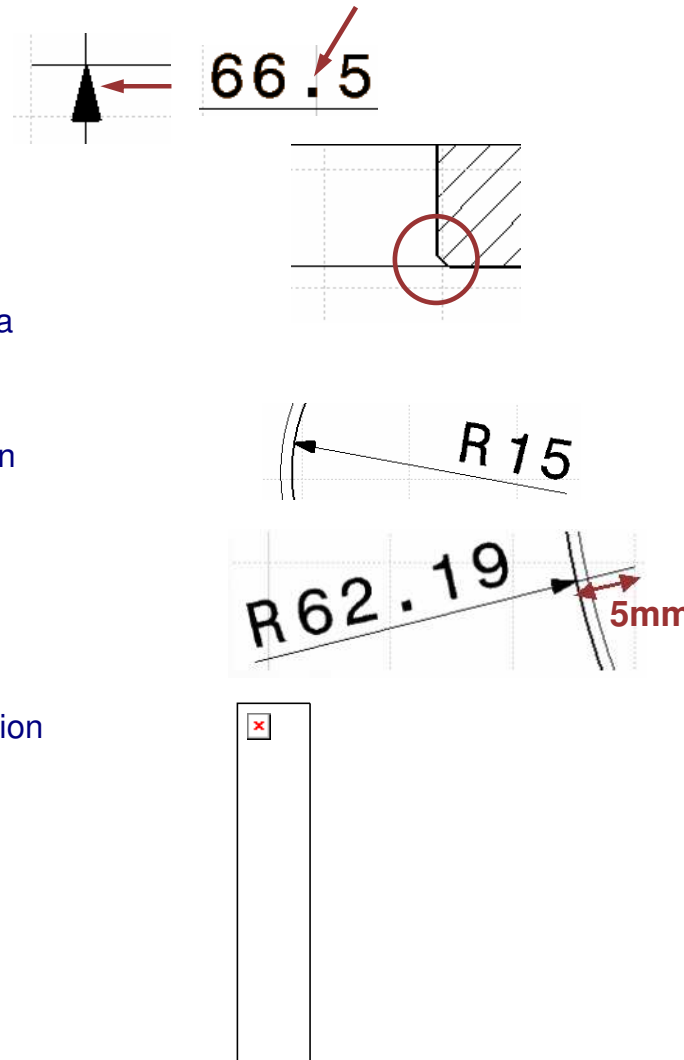
- ◆ **For dimensions with outside arrows, don't display dimension line outside the arrows**

- ◆ **Modify the horizontal offsets for Texts before and Text after dimension value**



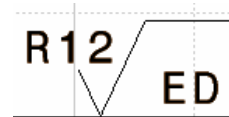
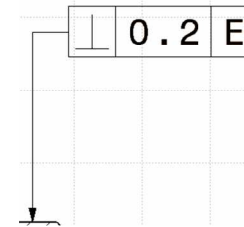
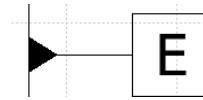
Do It Yourself (3/13)

- ◆ All radius/diameter dimensions must have the following standard :
 - Dimension line symbol is a filled arrow
 - No blanking for extension lines
 - All the dimension values must be displayed using a point
 - Value inside circle: no overrun length for dimension line
 - Value outside circle: 5mm overrun length for dimension line
 - For Half dimensions, no overrun length for dimension line



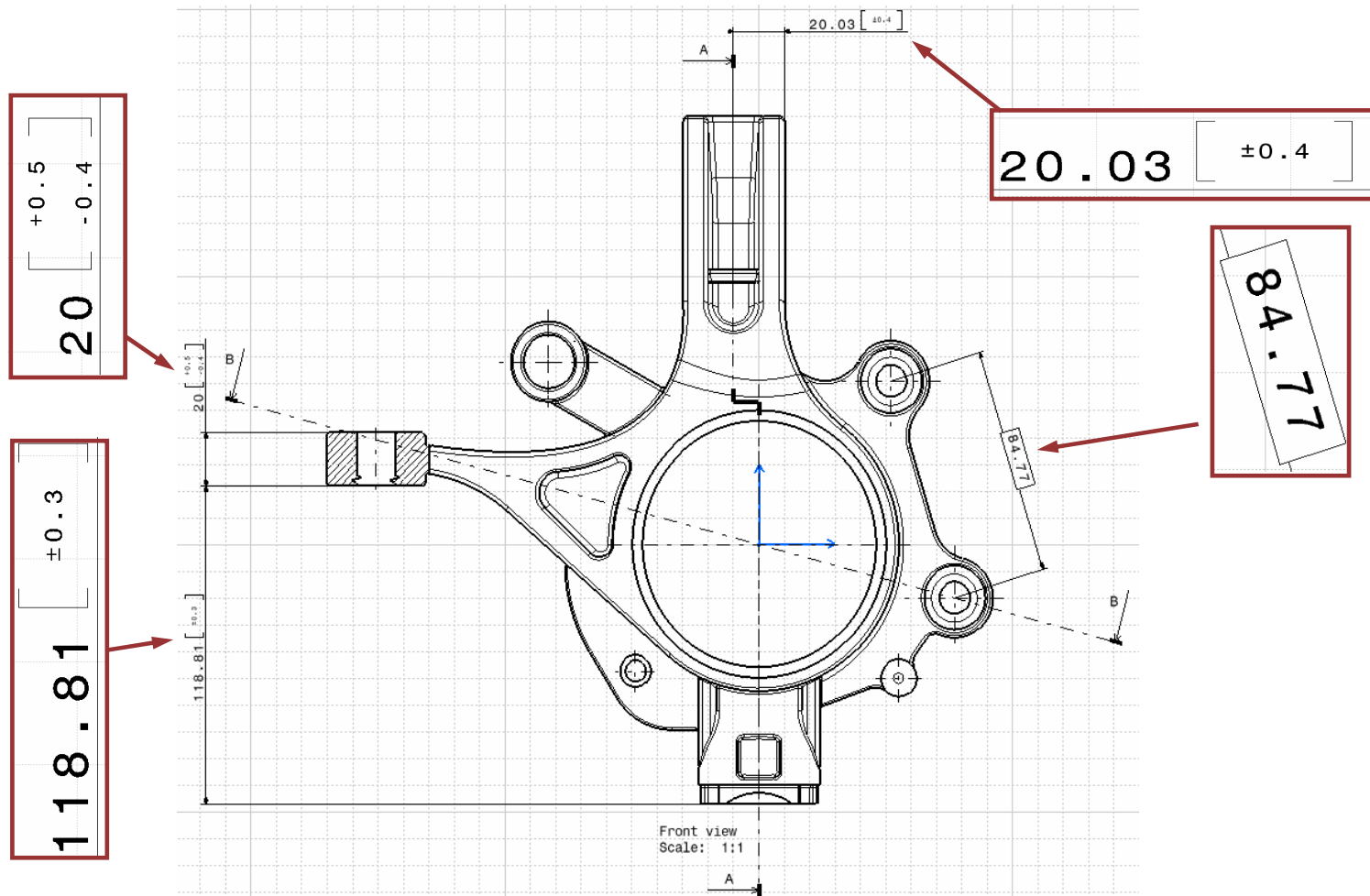
Do It Yourself (4/13)

- ◆ **Tolerances & annotations must have following standard :**
 - All the tolerance values must be displayed using a point as decimal separator
 - Datum symbol shape: filled triangle
 - Tolerance symbol arrow: filled arrow
 - Roughness symbol font size: 2.5mm



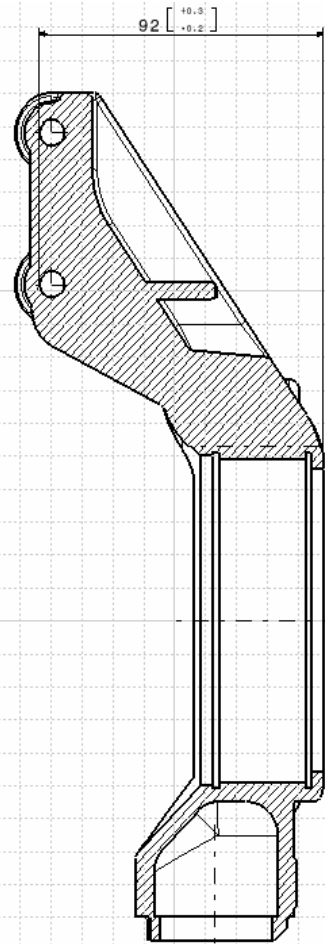
Do It Yourself (5/13)

Create Length dimensions

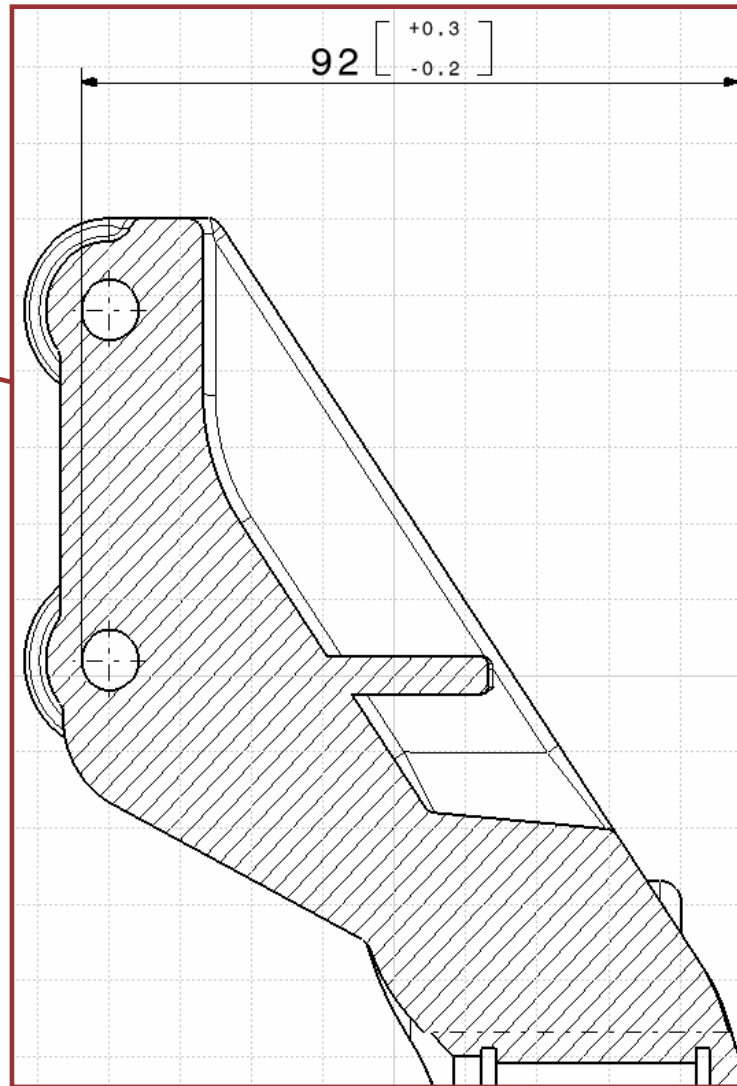


Student Notes:

Do It Yourself (6/13)



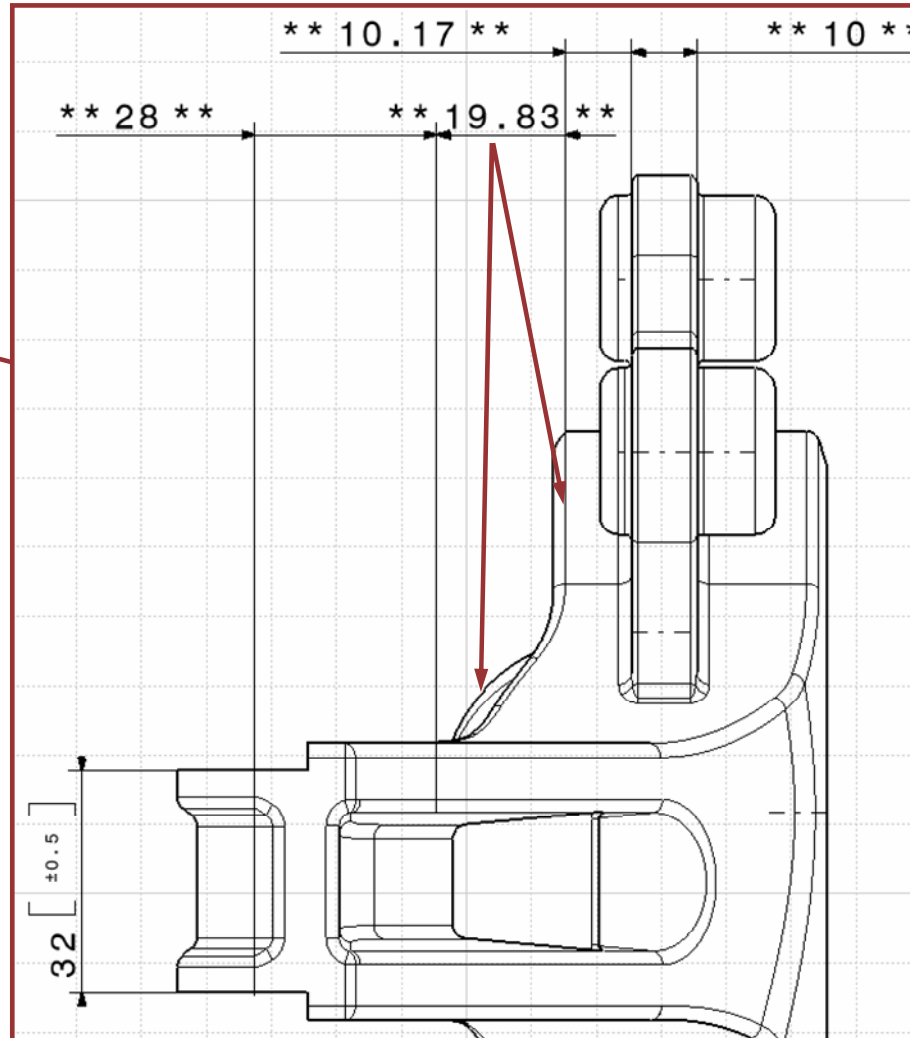
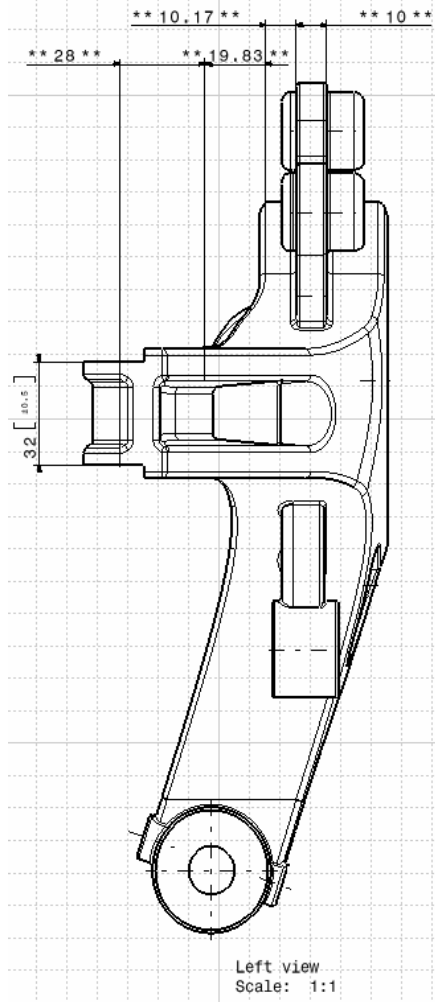
Section view A-A
Scale: 1:1



Reference Available : Pivot_Step1.CATDrawing

Student Notes:

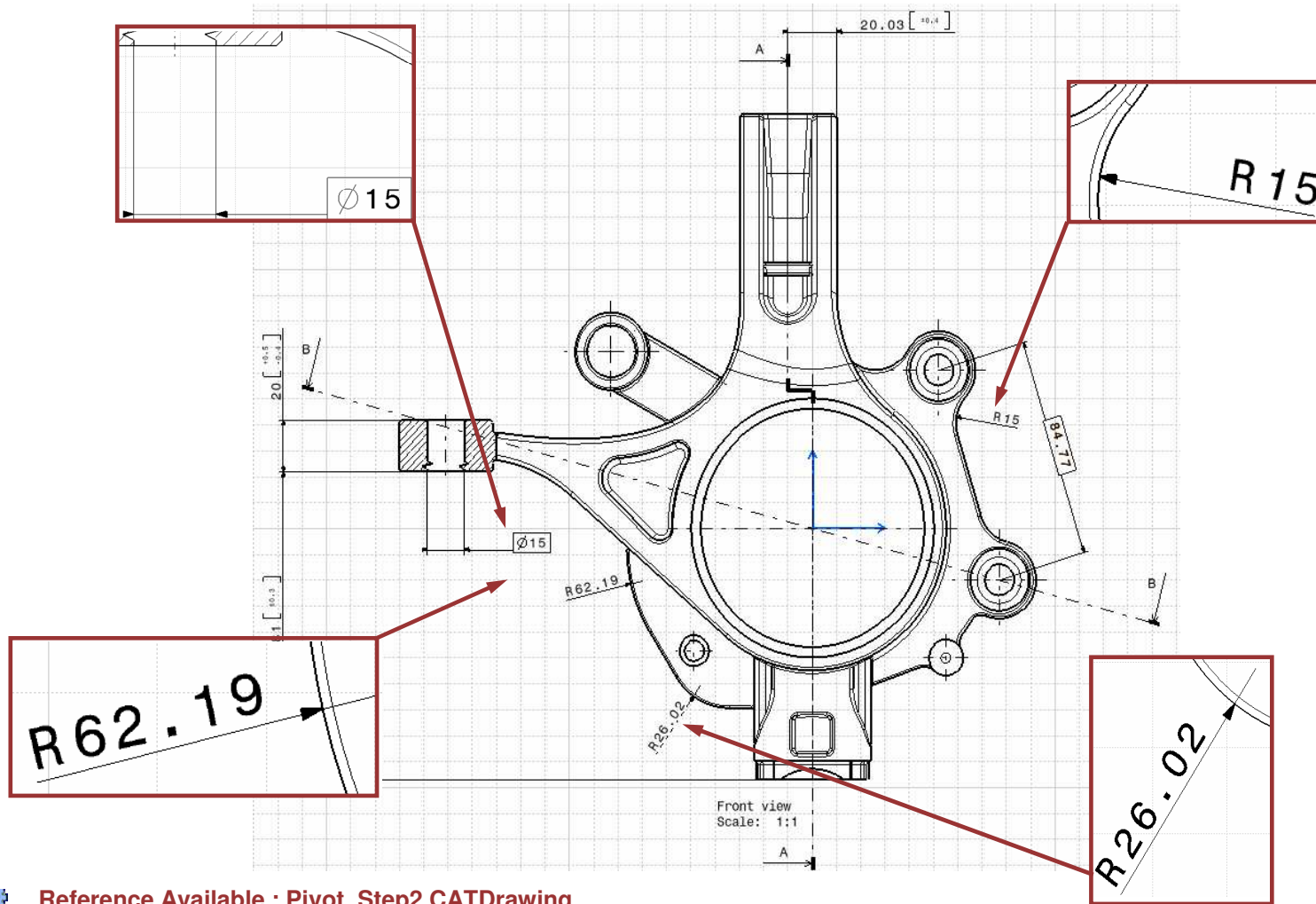
Do It Yourself (7/13)



 Reference Available : Pivot_Step1.CATDrawing

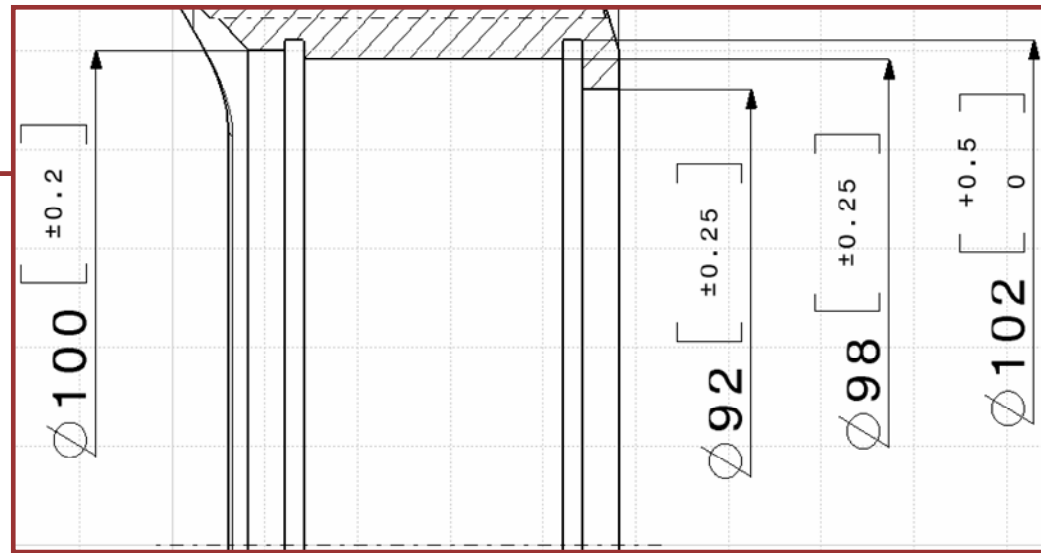
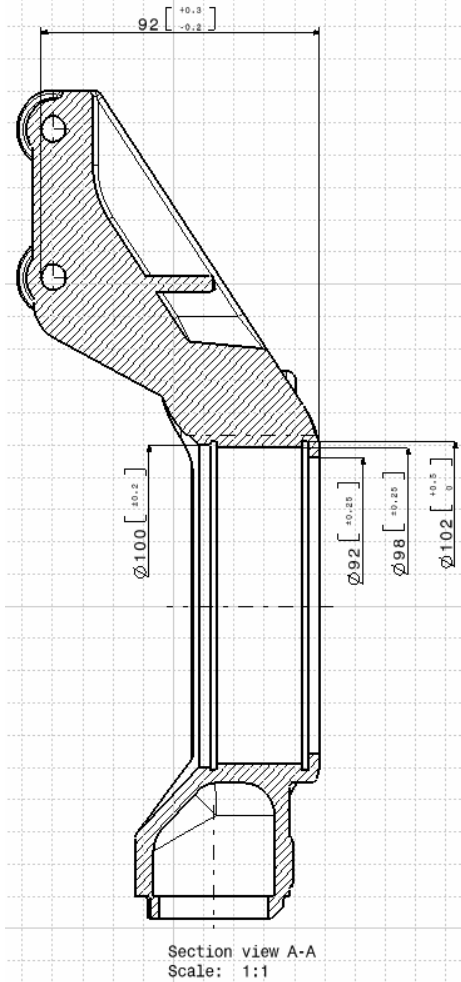
Do It Yourself (8/13)

Create Radius/Diameter dimensions



Student Notes:

Do It Yourself (9/13)

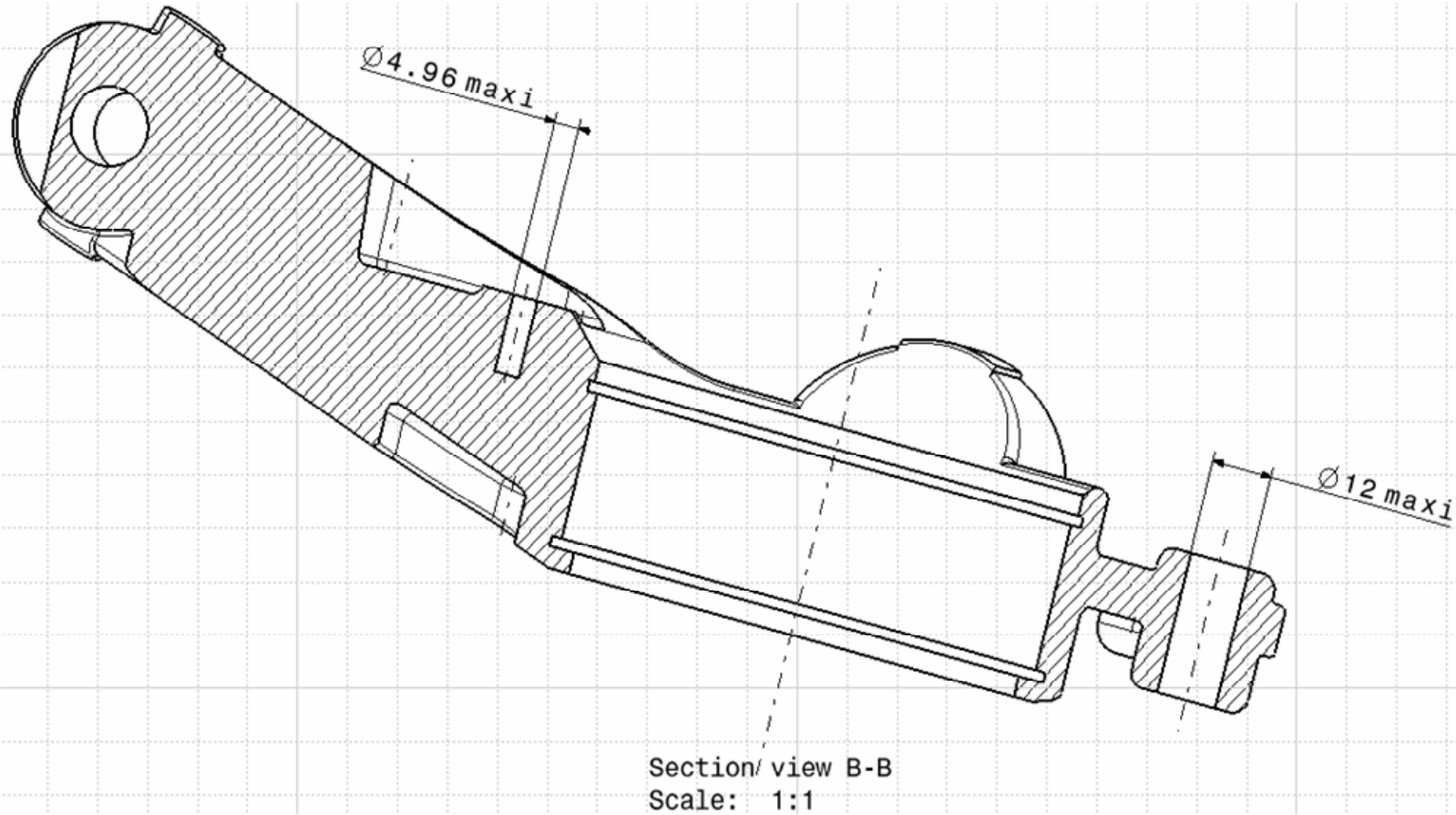


Copyright DASSAULT SYSTEMES

 Reference Available : Pivot_Step2.CATDrawing

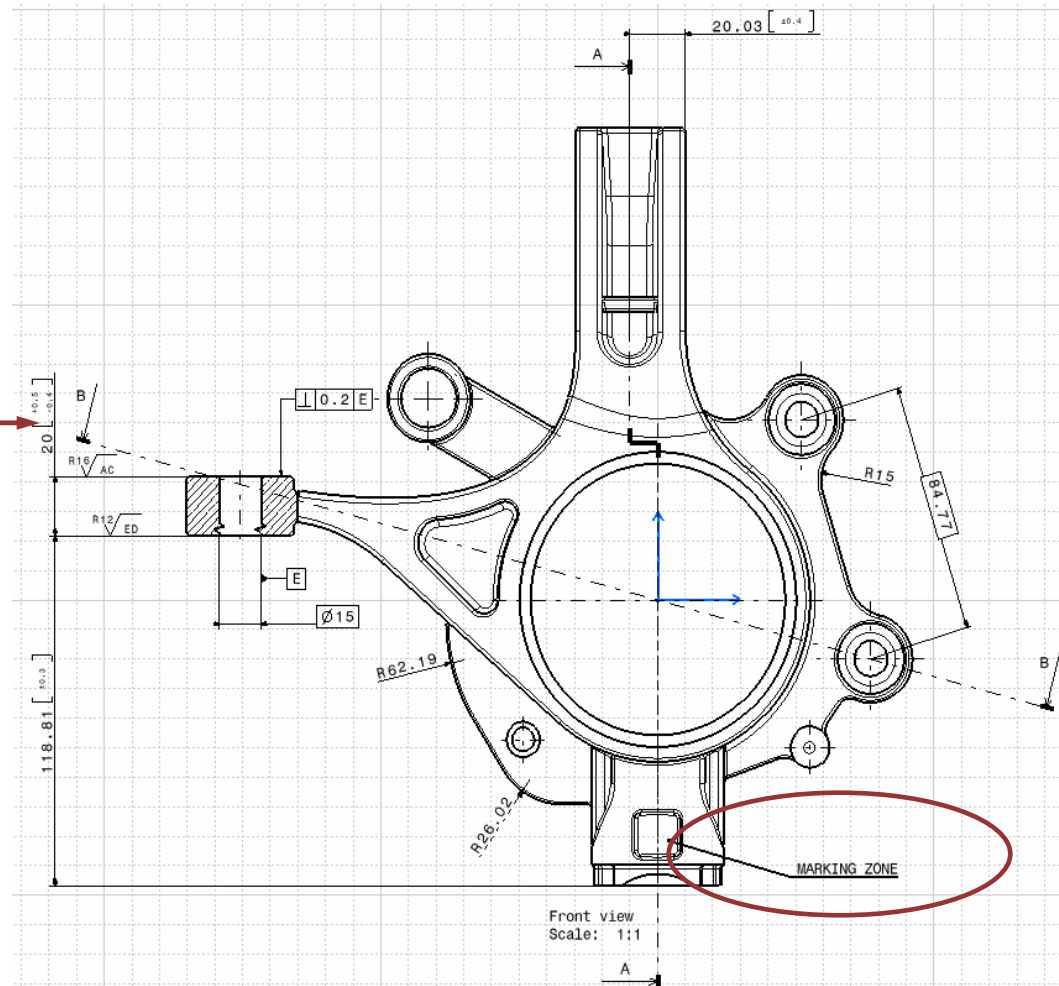
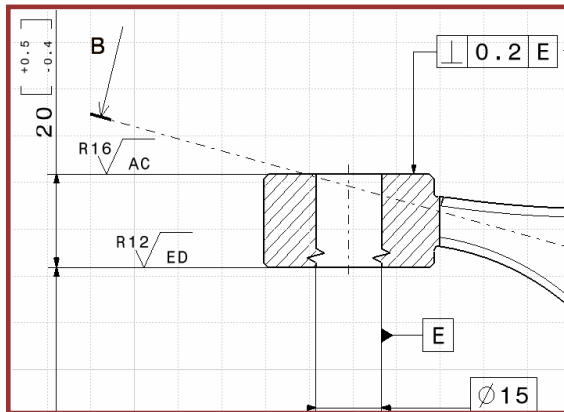
Student Notes:

Do It Yourself (10/13)



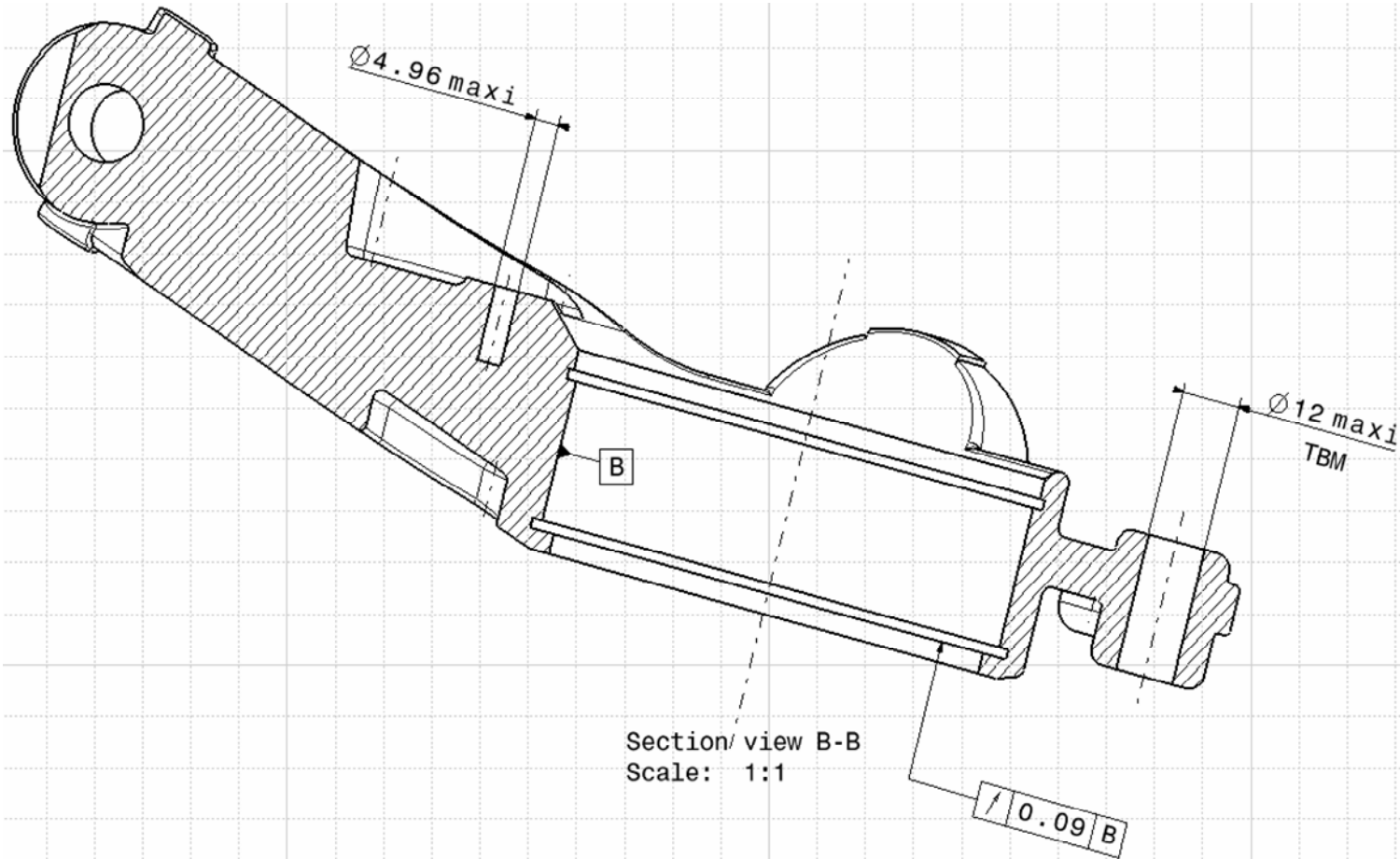
Do It Yourself (11/13)

Add Tolerances & Annotations



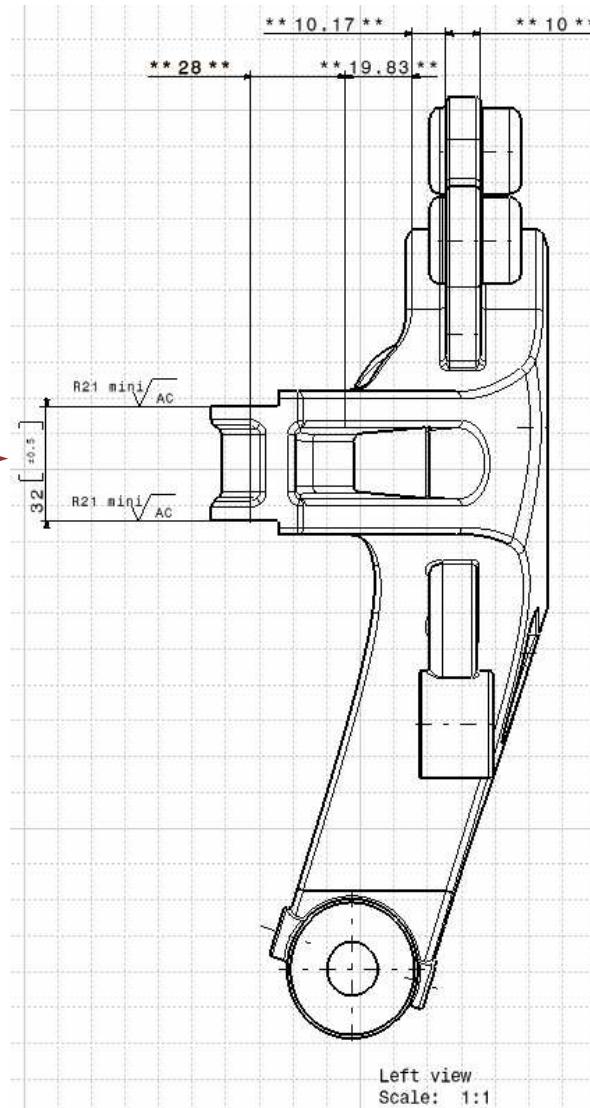
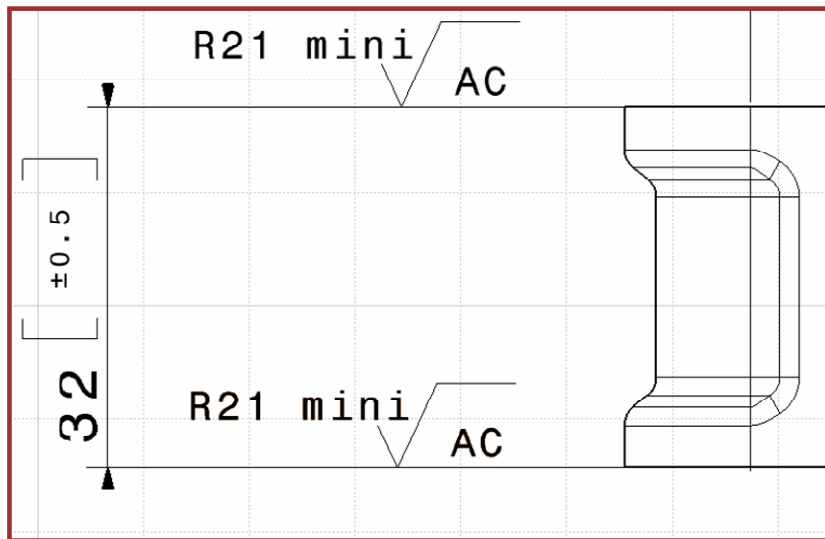
Student Notes:

Do It Yourself (12/13)



Do It Yourself (13/13)

Student Notes:



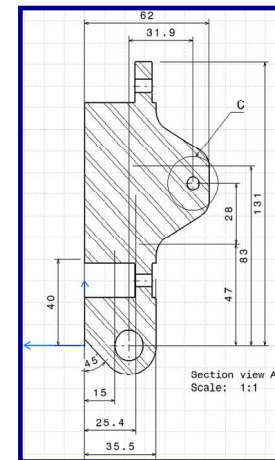
Exercise - Generating dimensions



In this exercise you will generate views from the 3D and you will generate dimensions.

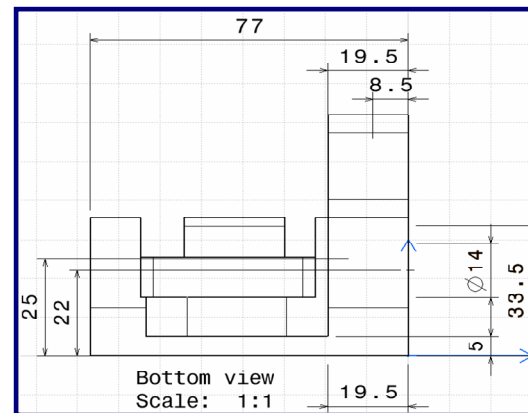
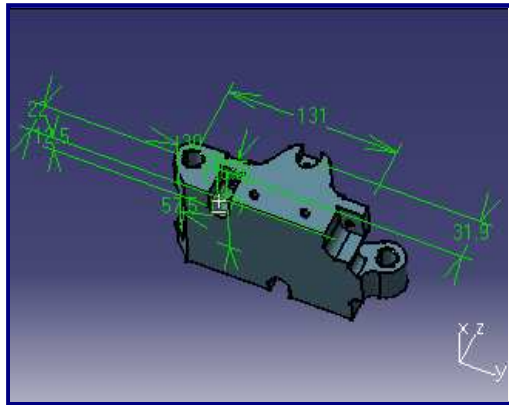
You will need to use filters or several options to improve the clearness of your drawing.

The aim of this exercise is to learn how generate dimensions properly and how to have information on the generated dimensions in relation to the existing constraints in the 3D.

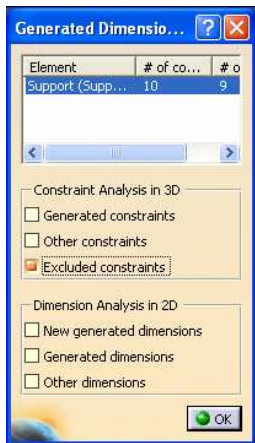


Design Intent: Generating dimensions

- Creating several views
- Generating and managing dimensions
- Auto positioning generated dimensions
- Analyzing dimensions position

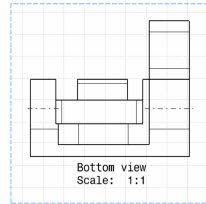


Design Process: Generating dimensions



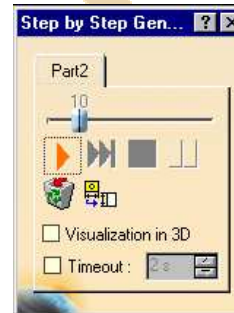
3

Analyzing generated dimensions.



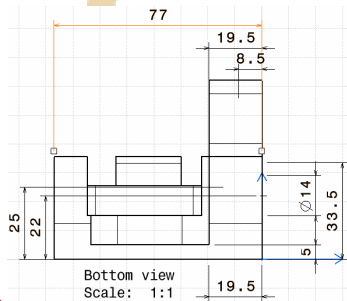
1

Creating views, section views, section cut.



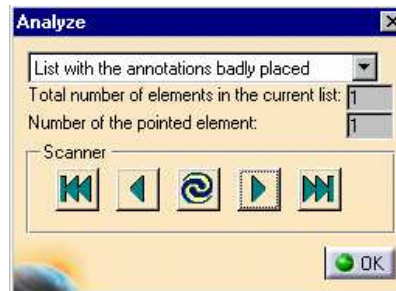
2

Generating and managing dimensions by using filters and transfer of views.



4

Transferring dimensions and Auto positioning generated dimensions.



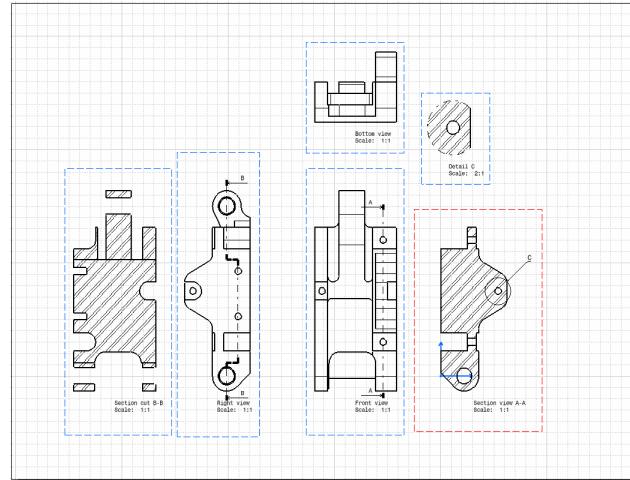
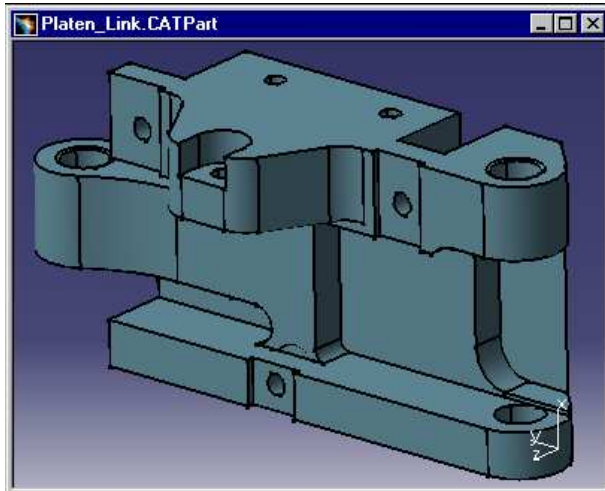
5

Analyzing dimensions position.

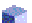
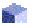
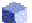
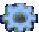


Student Notes:

Do It Yourself (1/8)

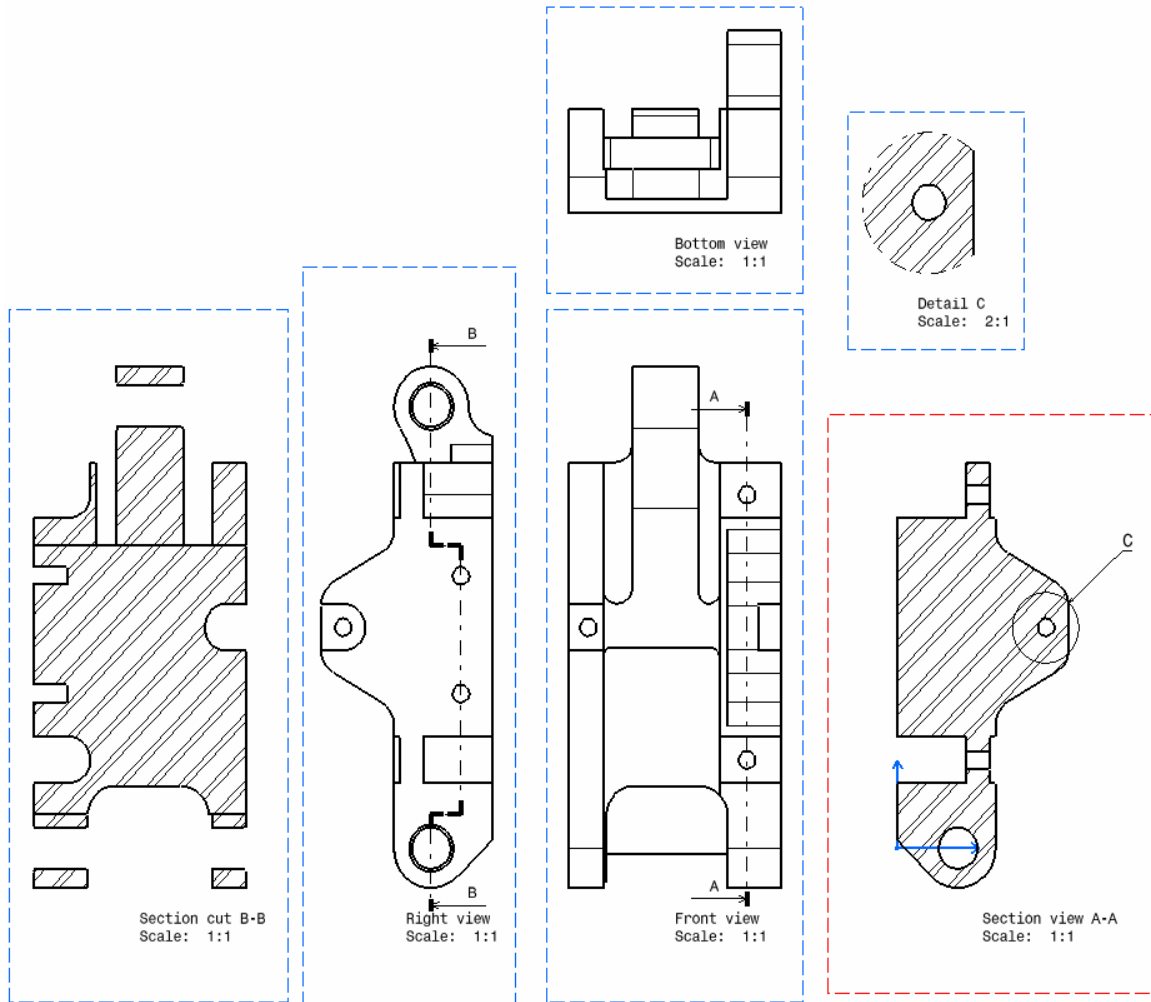


Details of the drawing next page

- 
Generate automatically Front, Bottom and Right views in an A2 ISO format drawing.
- 
Add a section view and a section cut.
- 
Create a detail view.
- 
Load: Platen_Link.CATPart

Student Notes:

Do It Yourself (2/8)



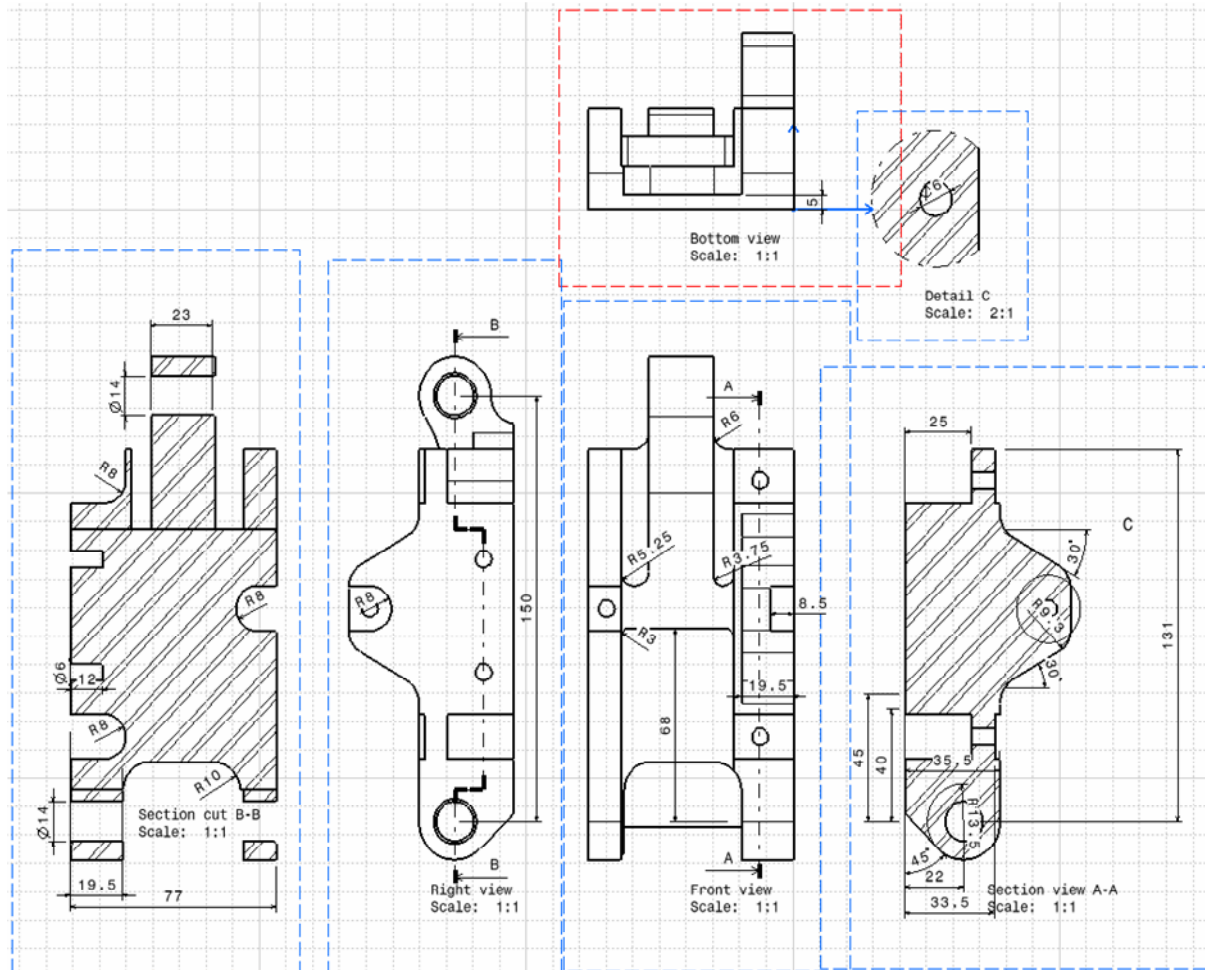
Copyright DASSAULT SYSTEMES



Reference Available : Platen_Link_Step1.CATDrawing

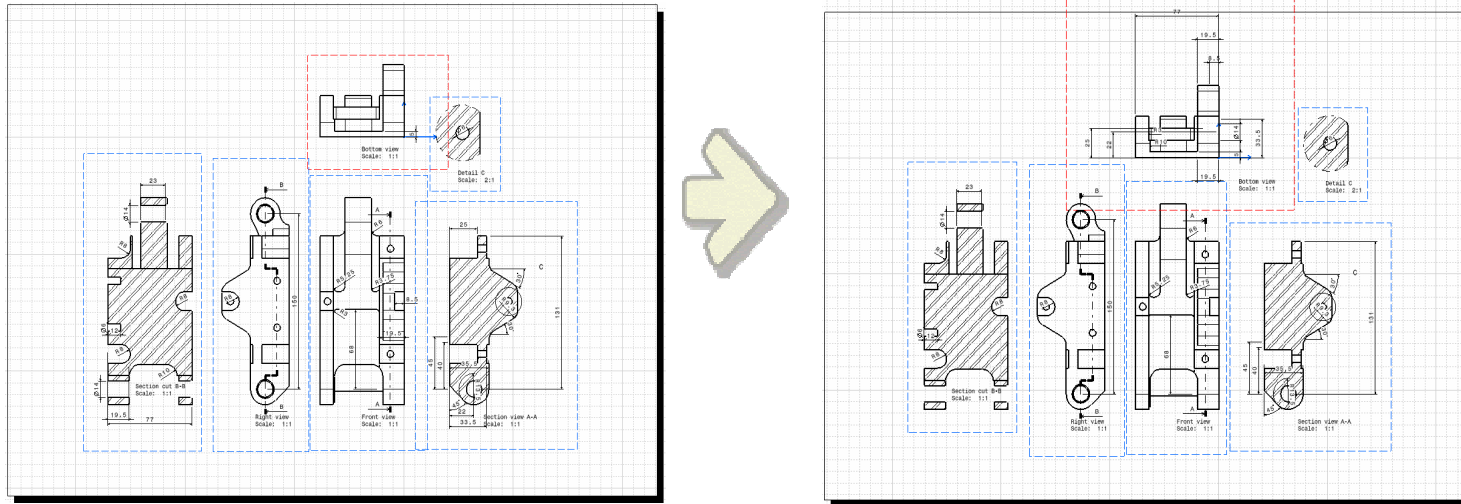
Student Notes:

Do It Yourself (4/8)



 Reference Available : Platen_Link_Step2.CATDrawing

Do It Yourself (5/8)

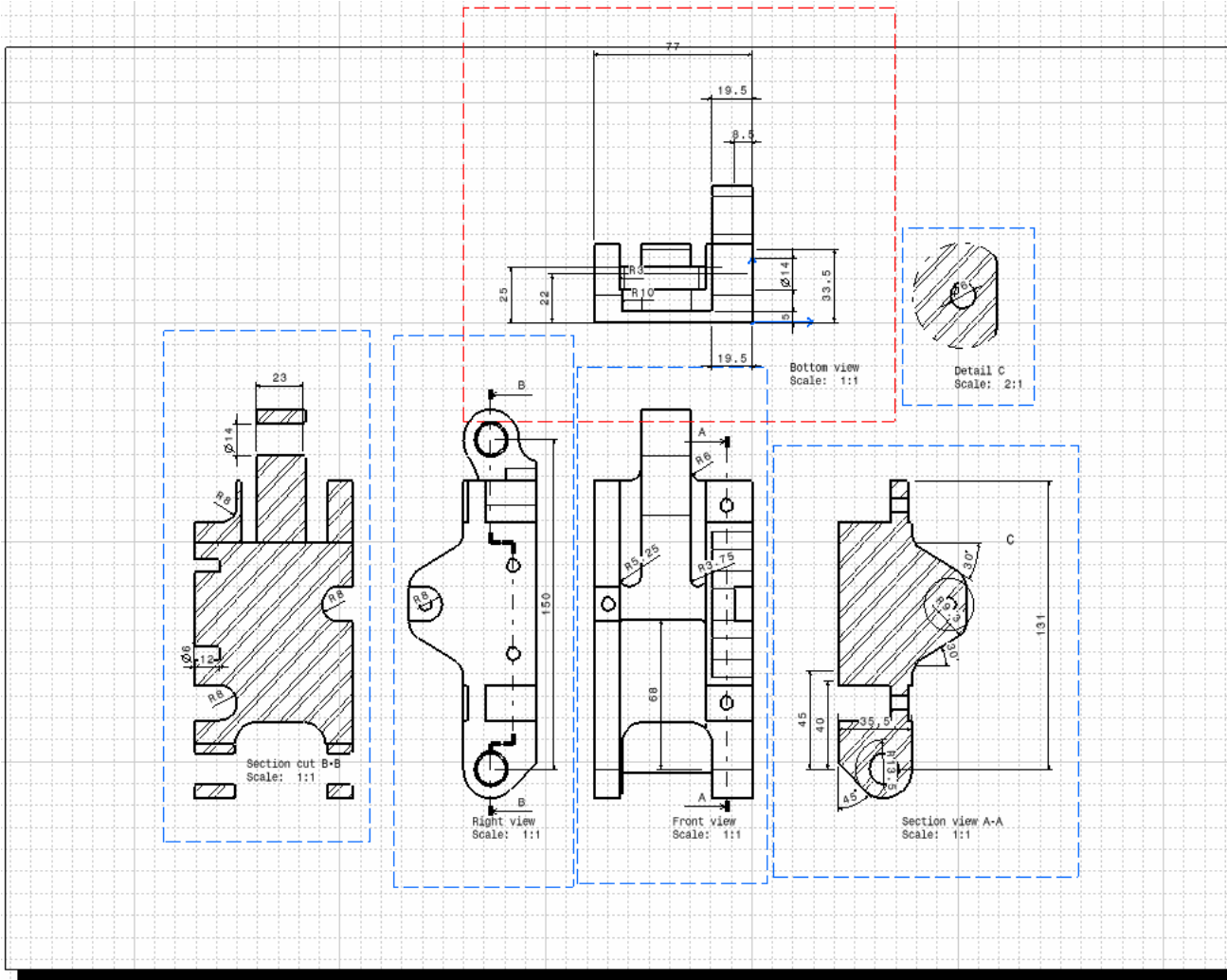


Details of the drawing next page

- **Transfer all possible dimensions in the Bottom view**
- **Auto-position the dimensions in the Bottom view**

Do It Yourself (6/8)

Student Notes:



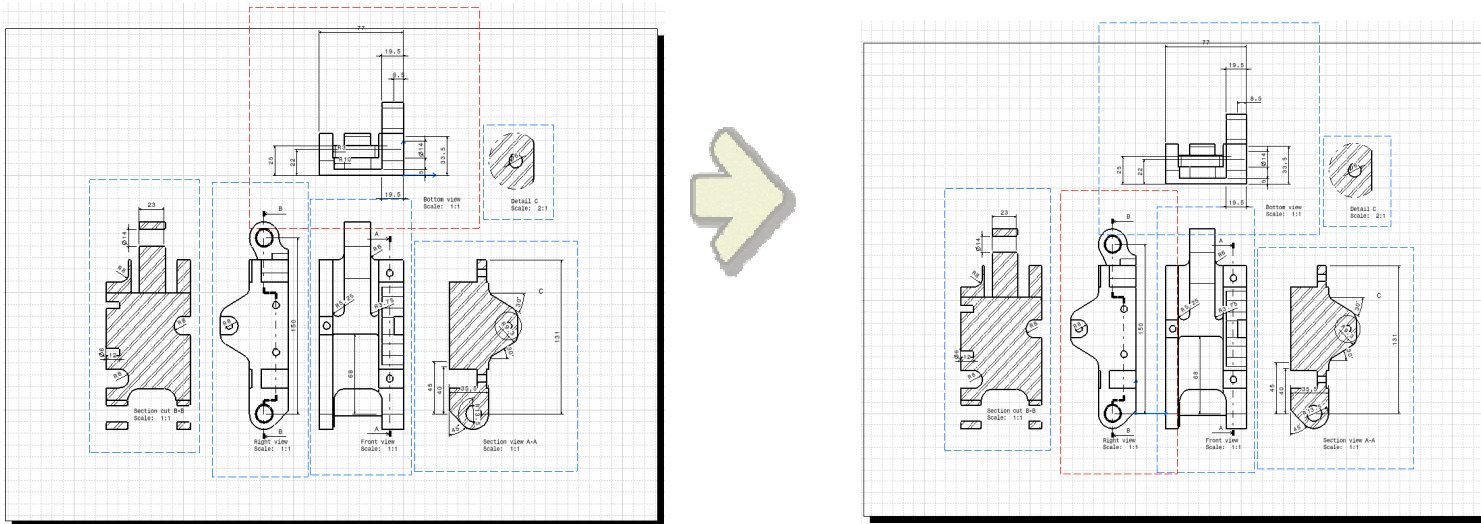
Copyright DASSAULT SYSTEMES



Reference Available : [Platen_Link_Step3.CATDrawing](#)

Student Notes:

Do It Yourself (7/8)

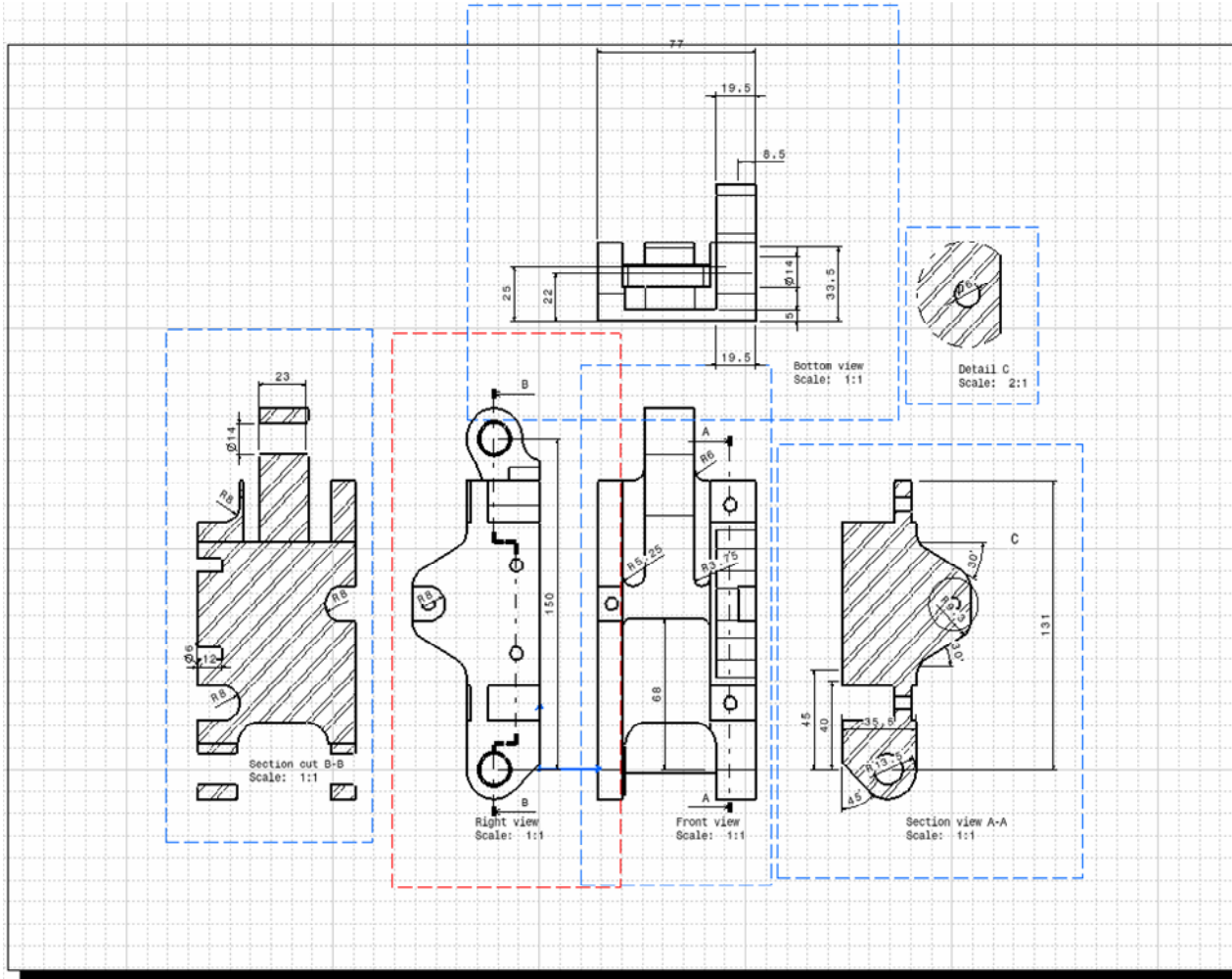


Details of the drawing next page

- Select different views and make a dimensions analysis to place correctly the dimensions.

Do It Yourself (8/8)

Student Notes:



Reference Available : Platen_Link_Step4.CATDrawing

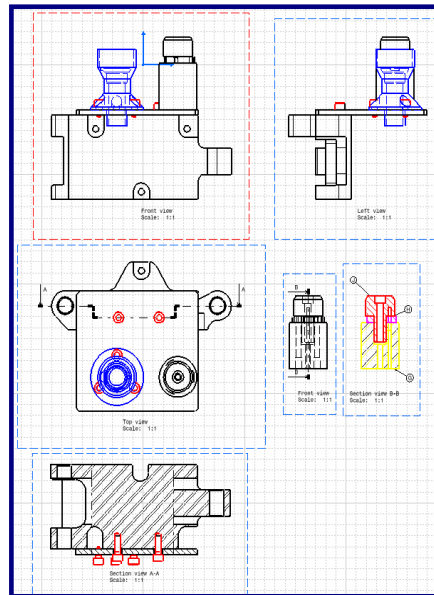
Student Notes:

Exercise - Using filtering techniques



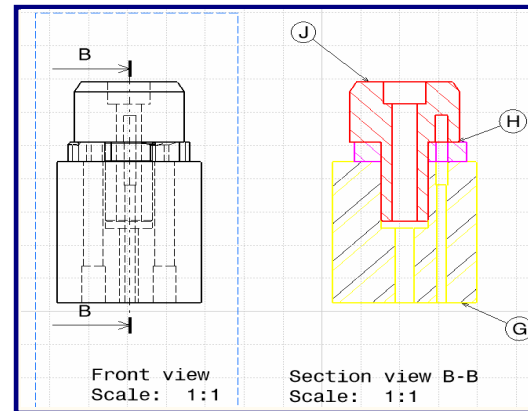
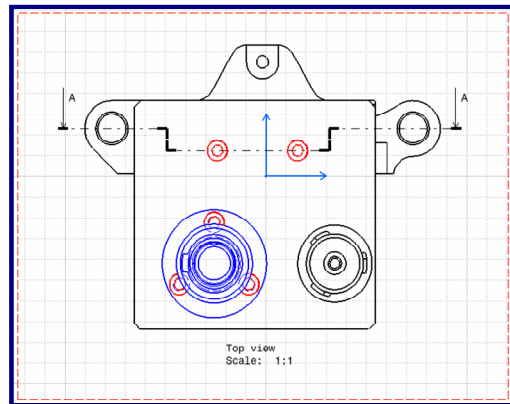
In this exercise you will have the opportunity to use the different filtering techniques to generate an assembly drawing.

You will use filters on the 3D assembly to apply some specifications at the view generation and also filters on the generated views.

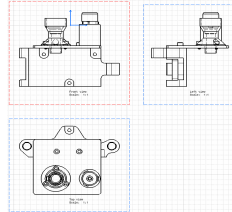


Design Intent: Using Filtering Techniques

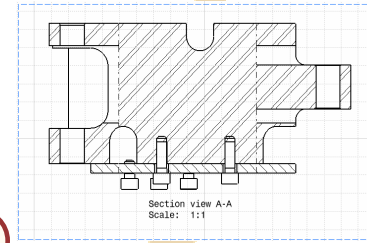
- Generating Front, Top & Left views with specifications
- Creating a Section view with specifications
- Using different filters on the generated views
- Generating a Front view of several parts
- Using filters and generating balloons



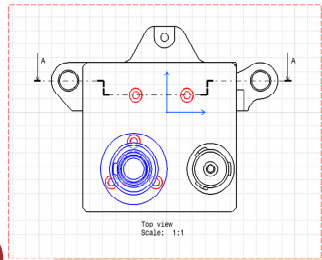
Design Process: Using Filtering Techniques



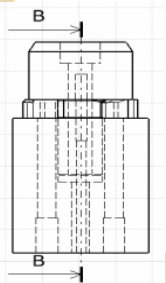
1
Generating Front, Top & Left views with specifications.



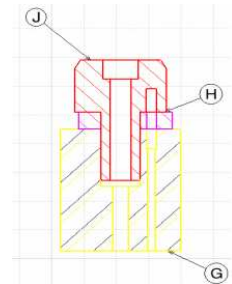
2
Creating a Section view with specifications.



3
Using different filters on the generated views.



4
Generating a Front view of several parts.

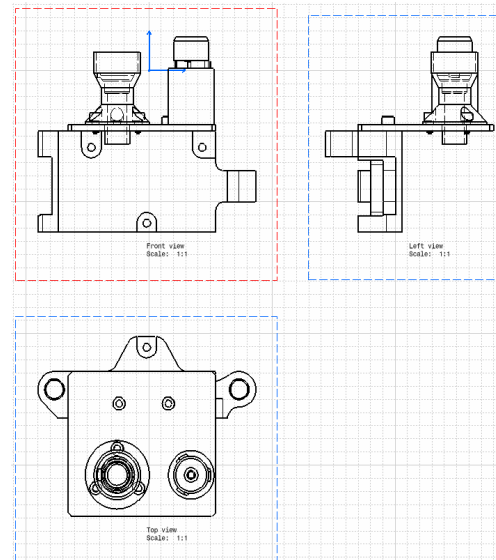
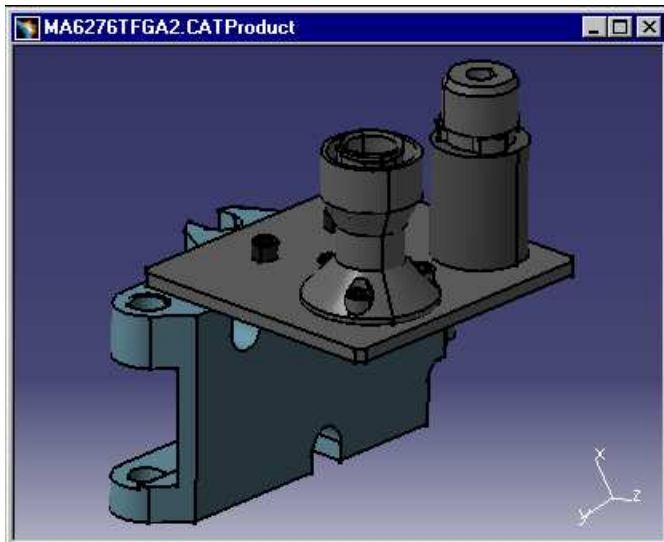


5
Using filters and generating balloons.

Student Notes:

Do It Yourself (1/8)

 Load: MA6276TFGA2.CATProduct



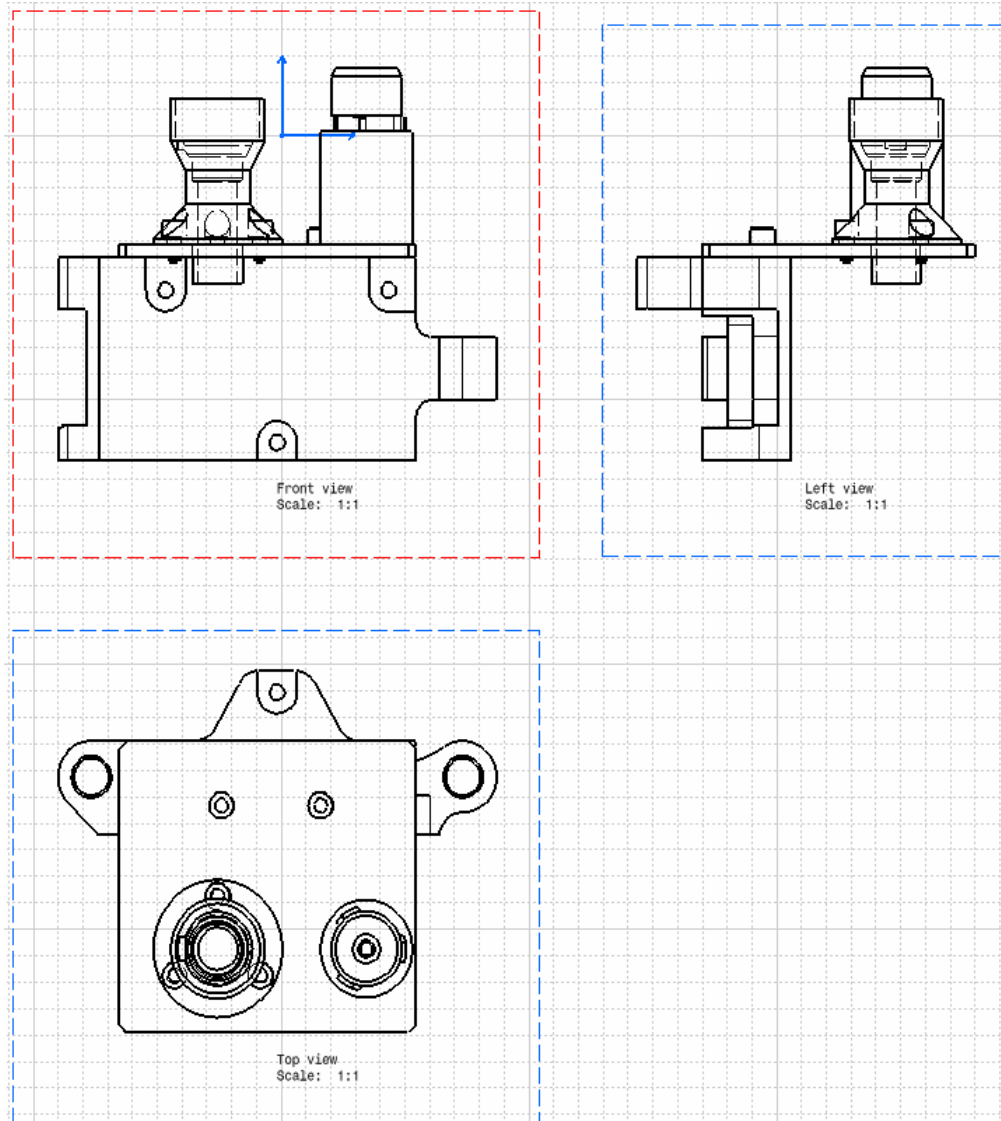
Details of the drawing next page

 Generate Front, Top & Left views automatically with the following specifications :

- ◆ Do not display the Male_Shaft.CATPart
- ◆ Show hidden lines of the Support.CATPart

Do It Yourself (2/8)

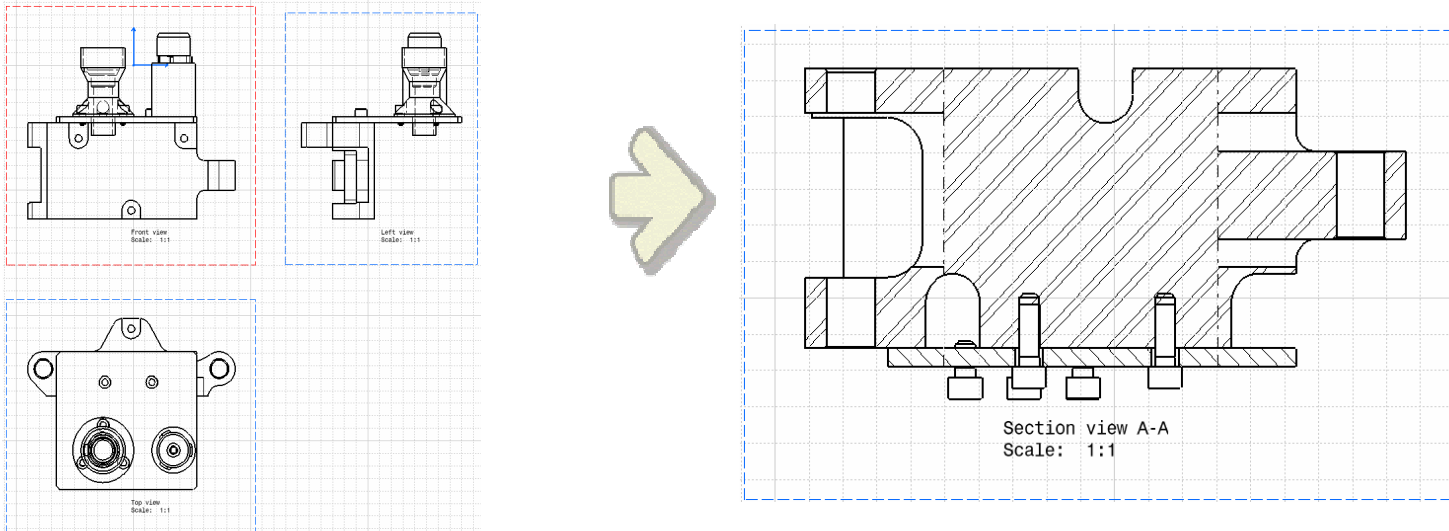
Student Notes:



Reference Available : MA6276TFGA2_Step1.CATDrawing

Student Notes:

Do It Yourself (3/8)



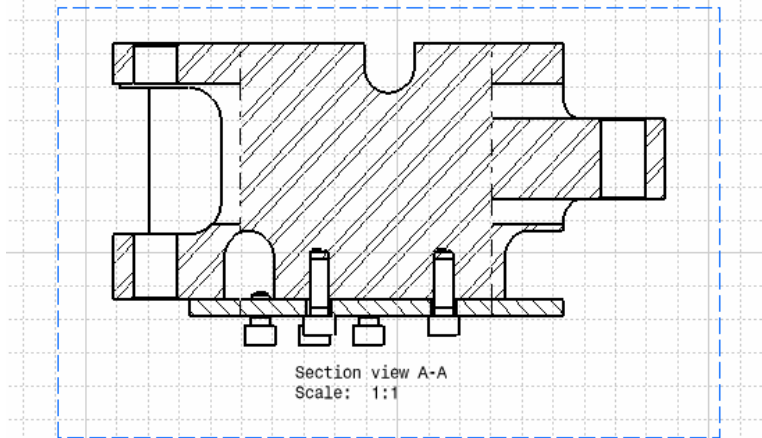
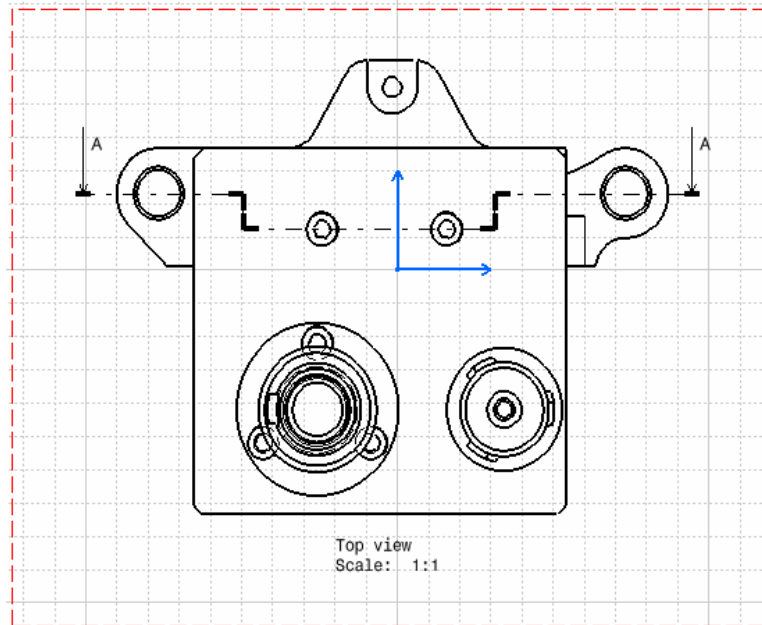
Details of the drawing next page

● Create a section view going through the screws with the following specifications :

- ◆ Do not cut screws
- ◆ Remove Support.CATPart, MA6276TF-005.CATPart, MA6276-006.CATPart & MA6276-007.CATPart

Do It Yourself (4/8)

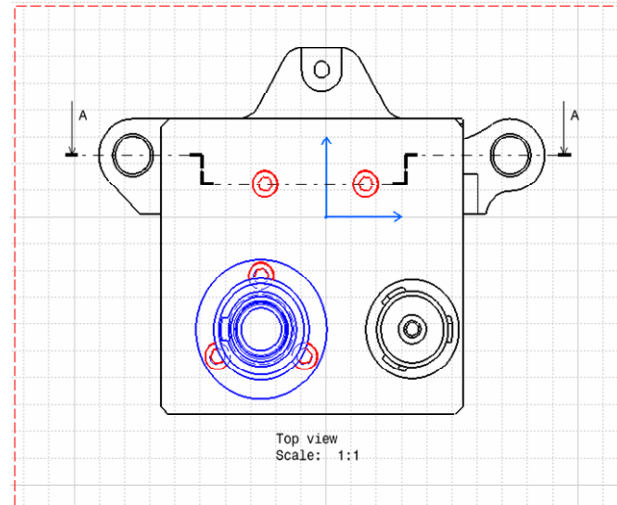
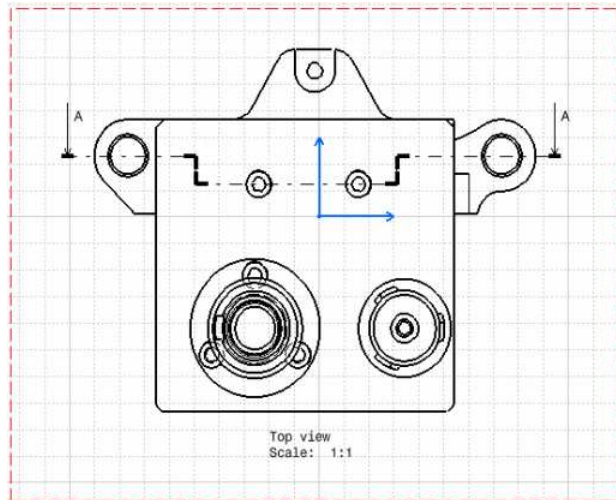
Student Notes:



Reference Available : MA6276TFGA2_Step2.CATDrawing

Student Notes:

Do It Yourself (5/8)

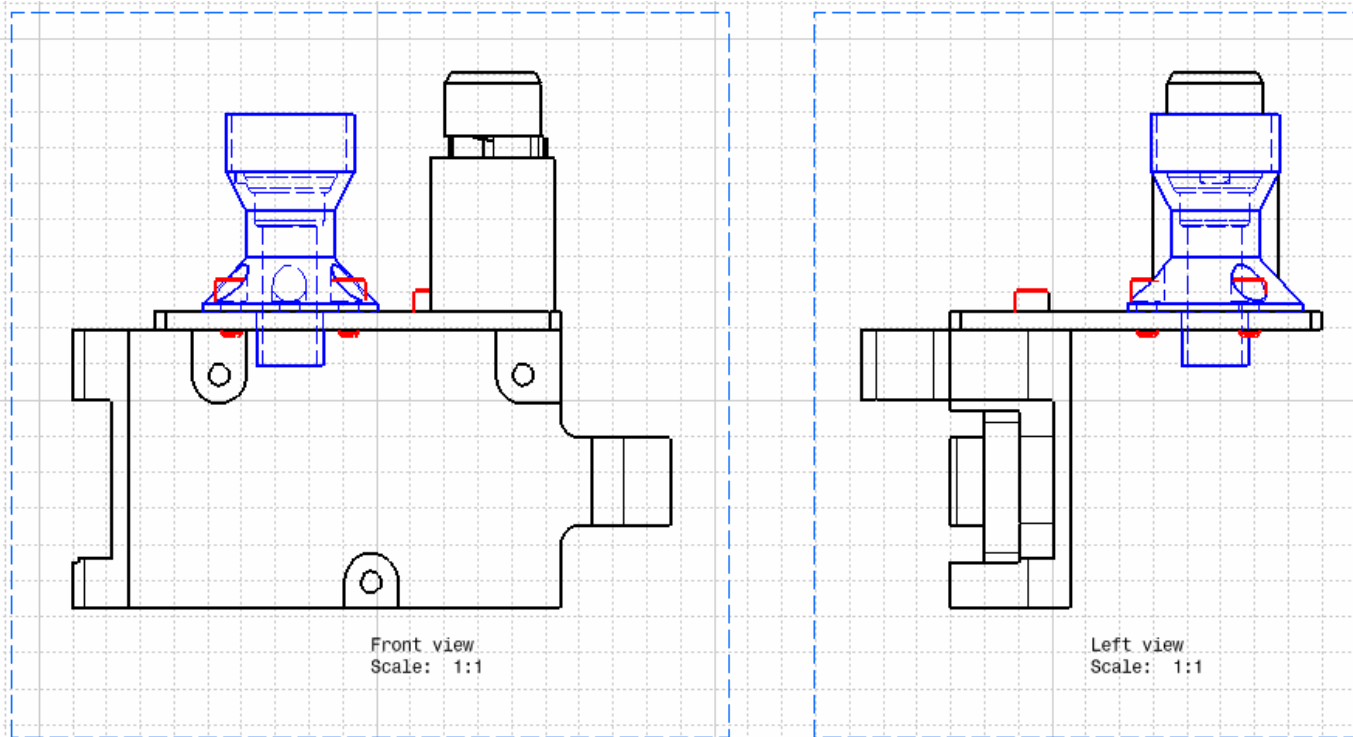


Details of the drawing next page

- ◆ Set specific colors :
 - ◆ Display in red all the screws
 - ◆ Display in blue the Support part

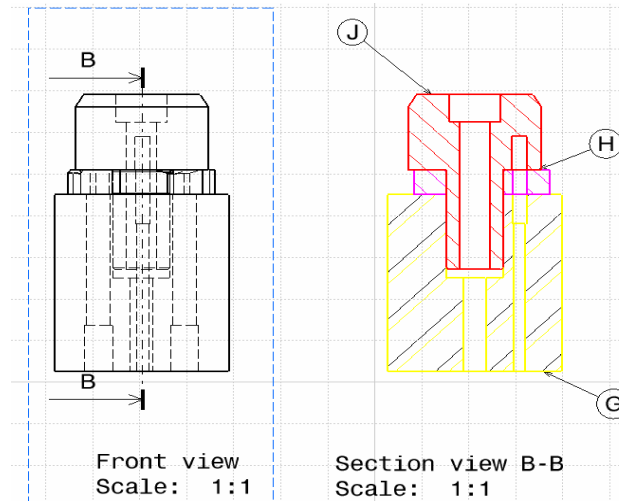
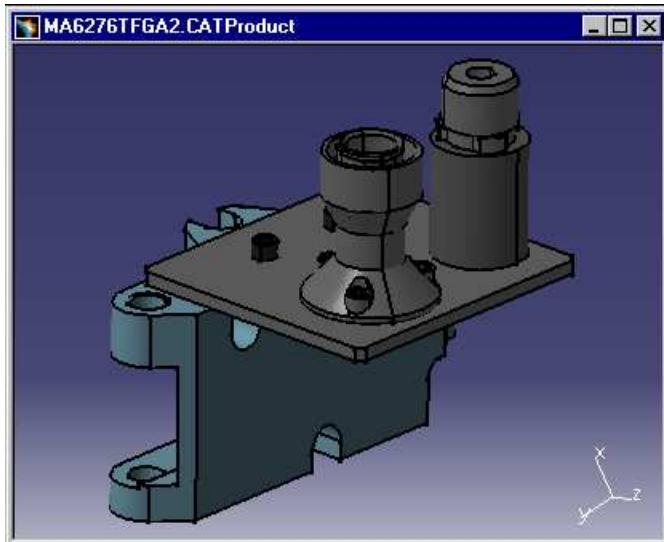
Student Notes:

Do It Yourself (6/8)



Reference Available : MA6276TFGA2_Step3.CATDrawing

Do It Yourself (7/8)



Details of the drawing next page

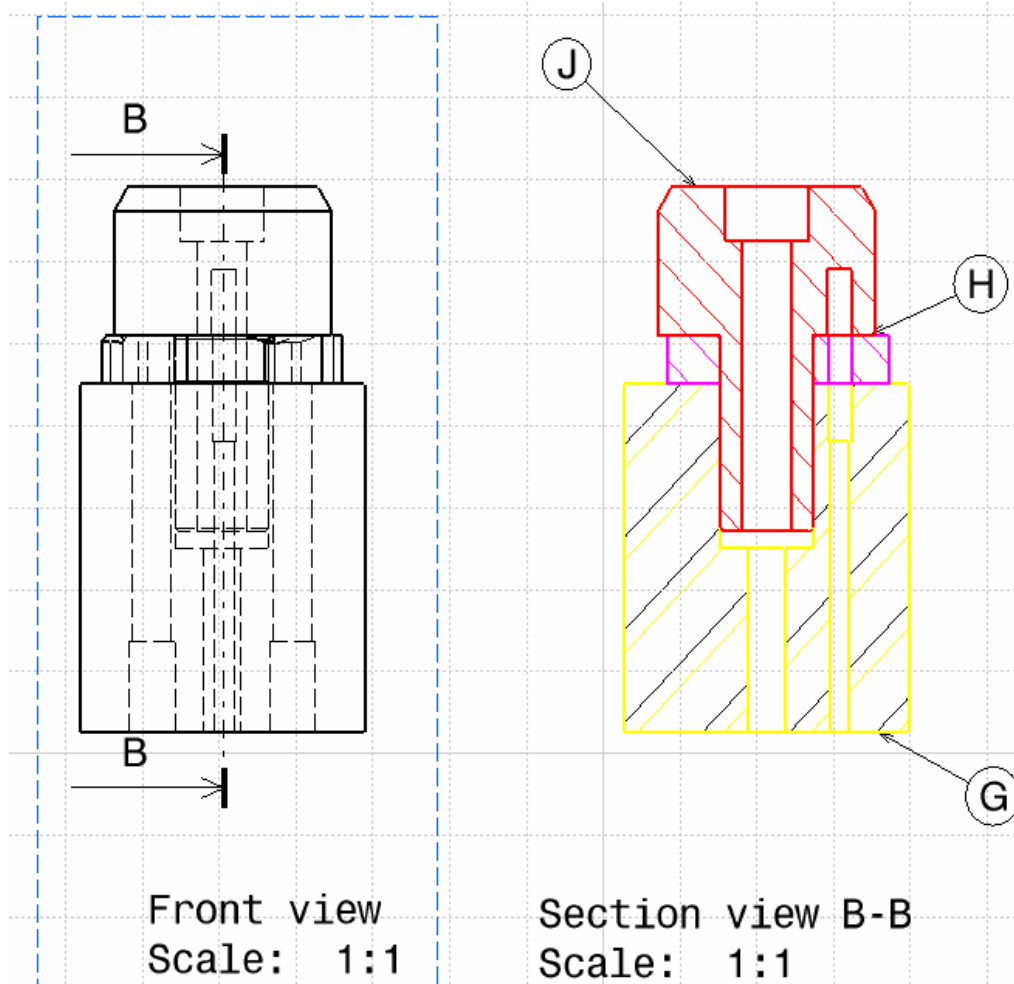
- Generate a Front view of MA6276TF-005.CATPart, MA6276TF-006.CATpart & MA6276TF-007.CATPart with the following specifications :**
 - Show hidden lines

- Generate a section view with the following specifications :**
 - Display the MA6276TF-005.CATPart in red
 - Display the MA6276TF-006.CATPart in pink
 - Display the MA6276TF-007.CATPart in yellow

- Generate balloons on the section view “B-B”**

Student Notes:

Do It Yourself (8/8)



Exercise - Geometry & Free Text in VBScript



In this exercise you will have to add a subroutine to the macro which generates the Title Block.

This macro will add to the Title Block a free text cell and will create the associated text.

The aim of this exercise is to learn how create geometry and Texts in VBScript.

Add your comments here.					
DESIGNED BY: demo				08	-
DATE: 5/23/01			Definition	07	-
AUTHENTICATED BY: XXX				06	-
DATE: XXX				05	-
SIZE A4		DASSAULT SYSTEMES		04	-
SCALE 1:1	WEIGHT (kg) 5.60	DRAWING NUMBER Part1	SHEET 1/1	03	-
This drawing is our property; it can't be reproduced or communicated without our written agreement.				02	-
				01	-

Design Intent: Geometry & Free Text in VB Script

- Defining geometry variables
- Creating the geometry
- Defining the Text variable
- Creating the Text Box

```

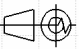
Sub CATFrameBorder()
'-----
'How to draw the frame border
'-----
Dim Frame_Border_Bottom As Line2D
Dim Frame_Border_Left As Line2D
Dim Frame_Border_Top As Line2D
Dim Frame_Border_Right As Line2D

Set Frame_Border_Bottom = Fact.CreateLine(OV, OV, OH, OV)
Set Frame_Border_Left = Fact.CreateLine(OH, OV, OH, Height - Offset)
Set Frame_Border_Top = Fact.CreateLine(OH, Height - Offset, OV, Height - Offset)
Set Frame_Border_Right = Fact.CreateLine(OV, Height - Offset, OV, OV)


On Error Resume Next
Frame_Border_Bottom.Name = "Frame_Border Bottom"
Frame_Border_Left.Name = "Frame_Border Left"
Frame_Border_Top.Name = "Frame_Border_Top"
Frame_Border_Right.Name = "Frame_Border_Right"
If Err.Number <> 0 Then
Err.Clear
End If
End Sub
    
```

Add your comments here.				
DESIGNED BY: demo	Definition		08	-
DATE: 5/23/01			07	-
AUTHENTICATED BY: XXX			06	-
DATE: XXX			05	-
SIZE A4	DASSAULT SYSTEMES		04	-
SCALE 1:1			03	-
WEIGHT (kg) 5.60	DRAWING NUMBER Part1	SHEET 1/1	02	-
This drawing is our property; it can't be reproduced or communicated without our written agreement.			01	-

Do It Yourself (1/2)

DESIGNED BY: demo		Definition	08	-
DATE: 5/23/01			07	-
AUTHENTICATED BY: XXX			06	-
DATE: XXX			05	-
DATE: XXX			04	-
SIZE A4		DASSAULT SYSTEMES	03	-
SCALE	WEIGHT (kg)	DRAWING NUMBER	SHEET	
1:1	5.60	Part1	1/1	02
This drawing is our property; it can't be reproduced or communicated without our written agreement.				01



Add your comments here.				
DESIGNED BY: demo		Definition	08	-
DATE: 5/23/01			07	-
AUTHENTICATED BY: XXX			06	-
DATE: XXX			05	-
DATE: XXX			04	-
SIZE A4		DASSAULT SYSTEMES	03	-
SCALE	WEIGHT (kg)	DRAWING NUMBER	SHEET	
1:1	5.60	Part1	1/1	02
This drawing is our property; it can't be reproduced or communicated without our written agreement.				01

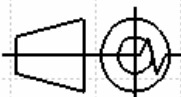
Details of the modifications next page

- **Add a subroutine called CATFreeText to TitleBlock.CATScript in order to :**
 - ◆ Create two lines according the specifications shown next page
 - ◆ Create a Text Box where user can add free text. Use a 2mm font size and anchor point at the middle left. The feature name will be 'TitleBlock_Text_Rights'

 **Edit: TitleBlock.CATScript**

Student Notes:

Do It Yourself (2/2)

<p>← TitleBlock_FreeText_Left</p> <p>Add your comments here.</p> <p>← TitleBlock_Text_FreeText</p>		<p>↗ TitleBlock_FreeText_Top</p>		<p>↕ 20mm</p>	
DESIGNED BY: demo	<h1>Definition</h1>			08	-
DATE: 5/23/01				07	-
AUTHENTICATED BY: XXX				06	-
DATE: XXX				05	-
SIZE A4		<h1>DASSAULT SYSTEMES</h1>		04	-
SCALE 1:1	WEIGHT (kg) 5.60			DRAWING NUMBER Part1	SHEET 1/1
This drawing is our property; it can't be reproduced or communicated without our written agreement.				02	-
				01	-



Reference Available : TitleBlock_exercise.CATScript

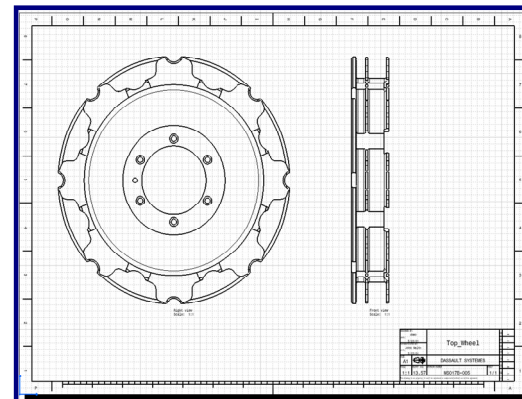
Exercise - Filling in Title Blocks



In this exercise you will have to create a macro to fill in existing Text Box in the Title Block.

This macro will be able to display a Dialog Box to enter or modify the authenticator name and will automatically add the day date.

The aim of this exercise is to learn how modify and fill in Text Box in an existing Title Block.




Student Notes:

Design Intent: Filling in Title Blocks

- Activate the background view
- Identify the parameters to use
- Modify Text Box



DESIGNED BY:	demo			08	-
DATE:	5/23/01			07	-
AUTHENTICATED BY:	John Smith		Top_wheel	06	-
DATE:	5/23/01			05	-
SIZE:	A1		DASSAULT SYSTEMES	04	-
SCALE	WEIGHT (kg)	DRAWING NUMBER	SHEET	03	-
1:1	13.57	MS017B-005	1/1	02	-
This drawing is our property; it can't be reproduced or communicated without our written agreement.				01	-

Do It Yourself (1/2)

DESIGNED BY:				08		-	
demo				07		-	
DATE:				06		-	
5/23/01				05		-	
AUTHENTICATED BY:				04		-	
XXX				03		-	
DATE:				02		-	
XXX				01		-	
SIZE				04		-	
A1				03		-	
DASSAULT SYSTEMES				02		-	
SCALE				01		-	
WEIGHT (kg)				01		-	
DRAWING NUMBER				01		-	
SHEET				01		-	
1:1				01		-	
13.57				01		-	
MS017B-005				01		-	
1/1				01		-	
This drawing is our property; it can't be reproduced or communicated without our written agreement.				01		-	



DESIGNED BY:				08		-	
demo				07		-	
DATE:				06		-	
5/23/01				05		-	
AUTHENTICATED BY:				04		-	
John Smith				03		-	
DATE:				02		-	
5/23/01				01		-	
SIZE				04		-	
A1				03		-	
DASSAULT SYSTEMES				02		-	
SCALE				01		-	
WEIGHT (kg)				01		-	
DRAWING NUMBER				01		-	
SHEET				01		-	
1:1				01		-	
13.57				01		-	
MS017B-005				01		-	
1/1				01		-	
This drawing is our property; it can't be reproduced or communicated without our written agreement.				01		-	

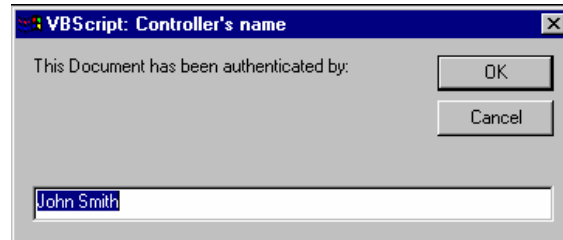
Details of the modifications next page


- **Create a macro to fill in the authenticator name and the corresponding date :**
 - ◆ The macro must display a panel to write the name and propose by default 'John Smith' or write the current authenticator name
 - ◆ The macro must fill in the Text box with XXX if you don't write any word in the Dialog Box
 - ◆ The macro must set the date automatically

Load: Wheel.CATDrawing

Student Notes:

Do It Yourself (2/2)



DESIGNED BY: demo					08	-
DATE: 5/23/01					07	-
AUTHENTICATED BY: John Smith					06	-
DATE: 5/23/01					05	-
SIZE A1					04	-
					03	-
SCALE 1:1	WEIGHT (kg) 13.57	DRAWING NUMBER MS017B-005		SHEET 1/1	02	-
This drawing is our property; it can't be reproduced or communicated without our written agreement.					01	-



Reference Available : Fill_in_TitleBlock.CATScript